

Maple Leaf WHEELCHAIR



The only limitation is your imagination

HDCommode



6540 Tomken Road
Mississauga ON L5T 2E9
T 905.564.2250 F 905.564.5424
1.800.362.0873

www.mapleleafwheelchair.ca

Operating & Service Manual

TABLE OF CONTENTS

Chair Information & Warranty	1
Warranty Card	2
Chair Maintenance	3
Arms	4
Footrests	5
Bucket, Seat and Back	6
Casters	7
Wheels	8
Wheel Locks	9
Anti Tippers	10
Contact	11

REFERENCE INFORMATION

Serial Number _____	Contact Person _____
Model Number _____	Phone Number _____
Description _____	Dealer Information (Name & Address) _____
Date Purchased _____	_____

Please contact your dealer or Maple Leaf Wheelchair customer service with any questions or concerns you may have with your wheelchair. The above information will help in the process of completing your request.

LIMITED WARRANTY

Maple Leaf Wheelchair Manufacturing guarantees all parts of our commode to be free of defects in workmanship and materials for a period of two (2) years from date of purchase. "Wear" items such as tires, tubes, armpads and upholsteries are excluded from this warranty.

In addition the frame are guaranteed to be free of defects in workmanship and material (to the original purchaser) for a period of five (5) years from date of purchase.

Maple Leaf Wheelchair will not cover rust damage if your commode is not made to be stainless steel for use in a shower.

This warranty is invalid if the chair has been damaged by accident, misuse, neglect, improper application, unauthorized service repair, or the addition of non-factory approved accessories.

Maple Leaf Wheelchair will repair or replace defective parts as required. A return authorization must be obtained and the parts returned to us freight prepaid, within the warranty period. Labour and freight charges incurred for replacements or repairs are not covered.

*Please fill out the "Maple Leaf Wheelchair Warranty Card" attached, and return the required part to our Maple Leaf Wheelchair facility.

WARRANTY CARD

Please complete this Maple Leaf Wheelchair Warranty Card and return it to our facility within 30 days of delivery of the equipment. This will assist in initiating your warranty coverage

Buyer & Dealer Information

Name _____

Address _____

Phone # _____

Email _____

Dealer
Information
(Name & Address) _____

Product Information

The serial number of your device contains important information. This number will be required should the device need service or replacement parts. Please write down the serial number for future reference.

*NOTE - The serial number is located on the right side (when seated) of the wheelchair on the lower frame.

Serial # _____

Purchase Date
(M/D/Y) _____

6540 Tomken Road
Mississauga ON L5T 2E9
T 905.564.2250 F 905.564.5424
1.800.362.0873

www.mapleleafwheelchair.ca

Valued Customer,

Thank you for your purchasing a Maple Leaf Wheelchair product. At Maple Leaf we manufacture top quality “Made In Canada” products, using as many Canadian made materials as possible. Your wheelchair should provide you with many years of service, but like any piece of equipment, it will require proper care and service for it to perform efficiently.

Your satisfaction is necessary and important to us and we want to guarantee it. However we suggest you regularly inspect your chair, checking for loose fasteners, excess play and damage. We also strongly recommend that regular maintenance be done by your service dealer.

Please complete your *Warranty Registration Card* and return it to us at Maple Leaf Wheelchair.

Also please read this manual to help you understand the proper operation, safety and maintenance of your new chair. If you have any difficulties or require additional information contact your dealer or our customer service department at Maple Leaf Wheelchair Manufacturing.

MAINTENANCE GUIDE

Your commode is designed to give you many years of trouble-free use with proper care. Some servicing can be done at home, but we recommend that periodic maintenance be performed at your dealer. Service frequency depends strongly on the type of use and your dealer can best advise you on the time interval

****BE SURE IF YOU PLAN ON USING YOUR COMMODOE IN THE SHOWER THAT IT HAS BEEN MADE WITH STAINLESS STEEL. IF NOT RUSTING OF YOUR COMMODOE WILL HAPPEN AND MAPLE LEAF WHEELCHAIR WILL NOT COVER EXTENSIVE RUST DAMAGE UNDER WARRANTY.**

CLEANING

All painted parts can be cleaned with a mild-non abrasive cleaner such as window cleaner. Stubborn spots or rust can be removed with automotive chrome cleaner.

The urethane parts should be cleaned with mild soap and water solution. Both should be rinsed well with clean water to remove all soap residues. The molded wheels and casters should also be cleaned with a mild soap and water solution.

SAFETY & HANDLING

The safe handling of your chair depends on understanding the purpose and function of your particular wheelchair. Recognizing the chairs; limitations will increase your confidence level.



OPERATING GUIDE

Arms

#	Description	Quantity
1	Arm Top	2
2	Arm Release Knob	2
3	Arm Mounting Socket	2
4	Arm Pivot	2

Your chair has standard fixed height, flip back arms.

To “Flip Back” arm:

- 1) Pull the arm release knob(2) out.
- 2) While holding the release knob(2) pull up on the arm top(1). Ensure the release knob(2) clears the hole on the arm mounting socket(3)

Conventional Arm Type Diagram



Fig. 1



OPERATING GUIDE

FOOTREST

#	Description	Quantity
1	Footplate	2
2	Release Handle	2
3	Mounting Pins	4
4	Pin Holes	4

The footrest on your chair is designed to swing out and remove easily.

Footrest Diagram

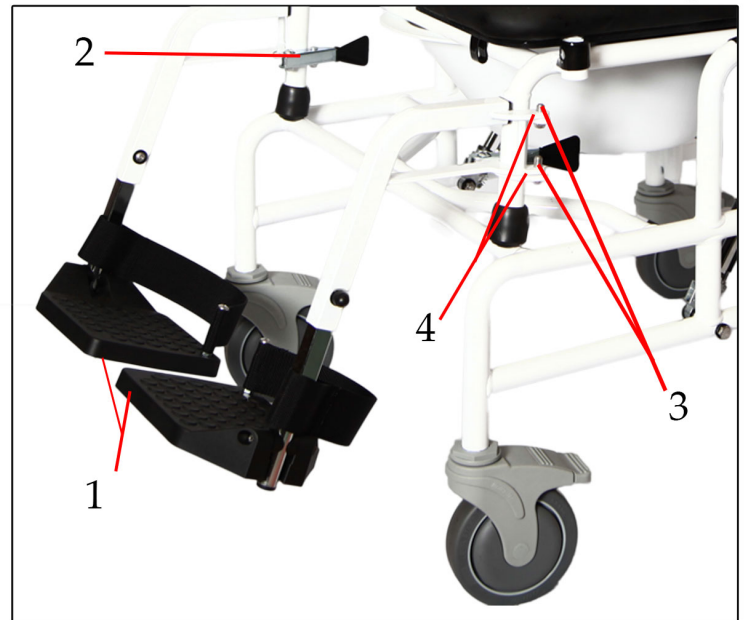


Fig. 2

To remove:

- 1) Remove feet from the footplates and fold the footplates (1) up.
- 2) Then pull on the release handle (2) while swinging the footrest to the outside of your chair.
- 3) Remove by lifting it straight up clearing the pin holes(4) from the mounting pins(3)

To replace:

- 1) Hold the footrest at the side of your chair
- 2) Insert the pin holes(4) onto the mounting pins(3) *be sure to allow it to drop all the way in
- 3) Swing the footrest towards the front of the chair, when it hits center it will lock into place.
- 4) Flip down the footplate(1)

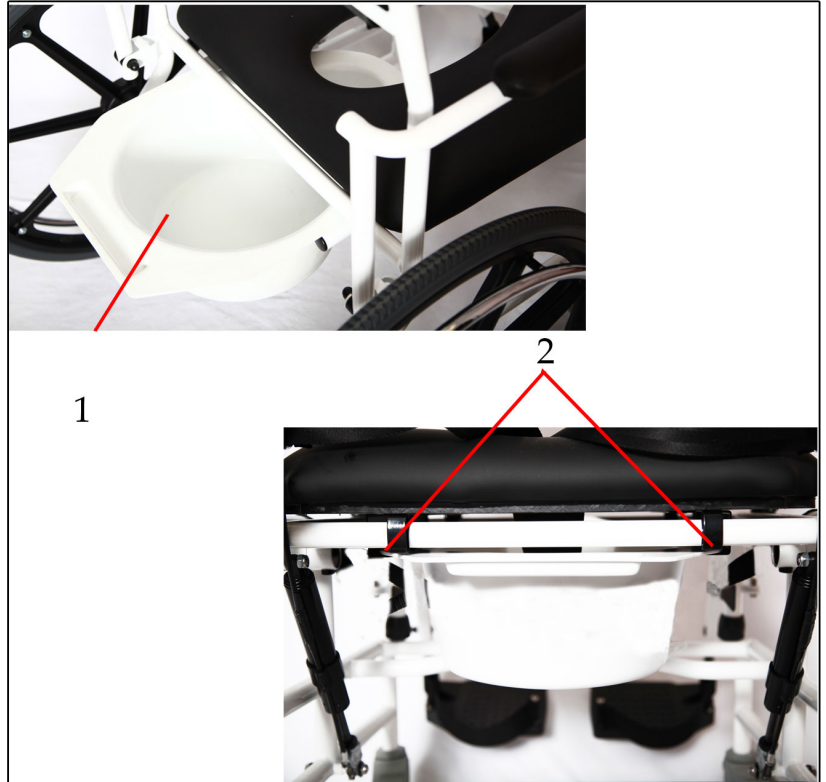
OPERATING GUIDE

Bucket

#	Description	Quantity
1	Bucket	1
2	Bucket Brackets	2

Your commode bucket(1) is made of plastic making it extremely durable and easy to clean.

It slides in from the back onto the brackets (2) and is secured with the clips(3). This ensures that the bucket won't slide out when the commode is in tilt.



Bucket Diagram

Fig. 3

Seat

Your commode seat is a snap on seat. It is easily removable for cleaning. Your seat has a solid abs base, wrapped in foam and covered with a dylex material that is extremely durable and easy to clean.



Seat Diagram

Fig. 4

Back

Your commode is complete with a vinyl padded solid back. To clean simply use a mild cleaning agent or a damp cloth.



Back Diagram

Fig. 5

OPERATING GUIDE

Casters

#	Description	Quantity
1	Side Frame	2
2	Caster Housing	2 / 4
3	Caster	2 / 4
4	Caster Lock	2 / 4
5	Caster Stem	2 / 4
6	Caster Nut <small>*mounted inside</small>	2 / 4

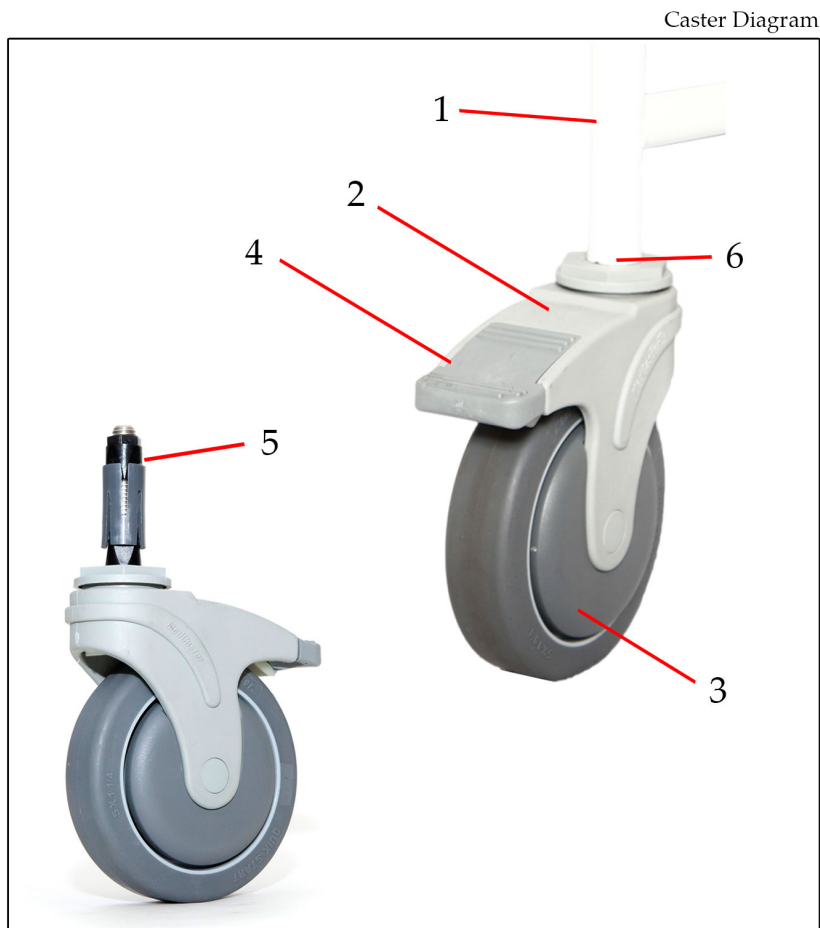


Fig. 6

Your commode is equipped with either 2 or 4 casters. They are precision sealed and screwed into the bottom of the side frames(1) into the caster nut(6).

If you have a commode with 4 casters 1 of them will be a directional locking caster. This one will be marked with a darker grey caster lock(4) than the others. This lock if engaged will allow the commode to still be mobile, but can only travel in a straight line, or rotate around this one directional locking caster. The other casters have full locking caster locks that if engaged will stop the wheels from rotating.



OPERATING GUIDE

Rear Wheels

#	Description	Quantity
1	Hub Cap	2
2	1/2" x 3 1/2" Axle	2
3	Nylon Wheel	2
4	Axle Hole	2
5	Axle Nut	2

Nylon Wheels Diagram

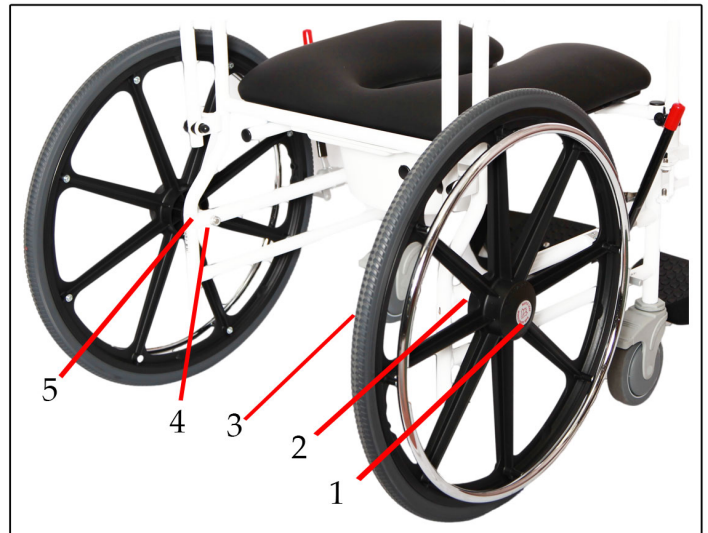


Fig. 7

Your commode may come with 2 rear wheels instead of casters. They are fitted with sealed precision bearings which require no lubrication. However they may need occasional adjustments due to wear under normal use. Too much side play, looseness or squeaking from your wheel means it needs to be checked. In most cases tightening of the axle bolt will resolve those conditions. Should squeaking and looseness continue, the bearings may need to be replaced. See your servicing dealer for assistance.

OPERATING GUIDE

Wheel Locks/Tires

#	Description	Quantity
1	Tires	2
2	Brake Shoe	2
3	Brake Handle	2
4	Brake Clamp *	2
5	5mm Allen Screws	4
6	Aluminum Brake Assembly	2

*Attaching mechanism depends on chair size

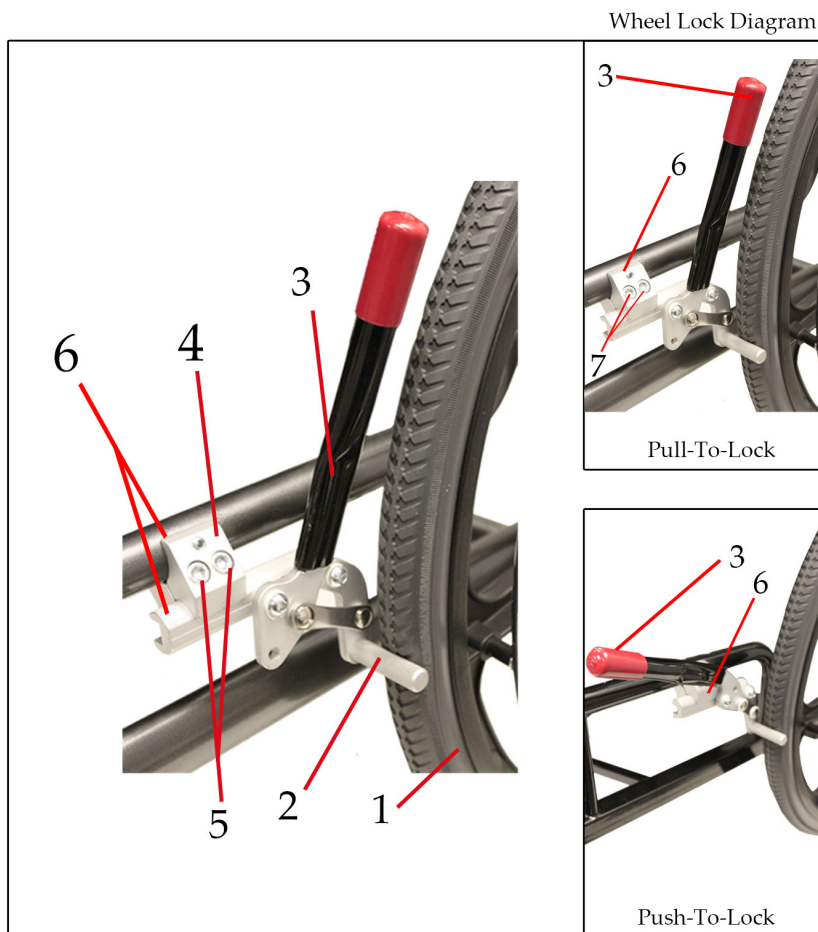


Fig. 8

Tires

The standard tires on your chair are solid, maintenance free urethane. These tires are reliable, long lasting and provide a very comfortable ride. Your chair may also be equipped with pneumatic tires, these must be regularly checked for wear and proper inflation. Air pressure should not exceed 40psi. Remember heated air expands, and a wheel with 40psi in cold weather will greatly increase outdoors or in the trunk of a car in the hot sun.

Wheel Locks

The position of the wheel locks are preset at the factory to provide you with the safest performance. However, tire(1) and brake shoe(2) will wear under normal usage, and will require some adjustment to ensure continued safe performance.

To adjust, loosen nuts(5) or allen screws(7) depending on attaching mechanism. Slide the brake assembly towards the wheel. Ensure that the brake hold securely but does not require too much effort to be applied. Then tighten nuts or screws securing the assembly in the appropriate position. A light application of lubrication can enhance performance.



OPERATING GUIDE

Anti-Tippers

#	Description	Quantity
1	Release Pin	2
2	Chair Socket	2
3	Housing	2
4	Bolt	2
5	Height Extension Tube	2
6	Anti-Tipper Wheel	4

The anti-tippers are used to prevent your chair from tipping over while in tilt. Although removable, anti-tippers must never be removed when using the chair.

Anti-Tipper Diagram

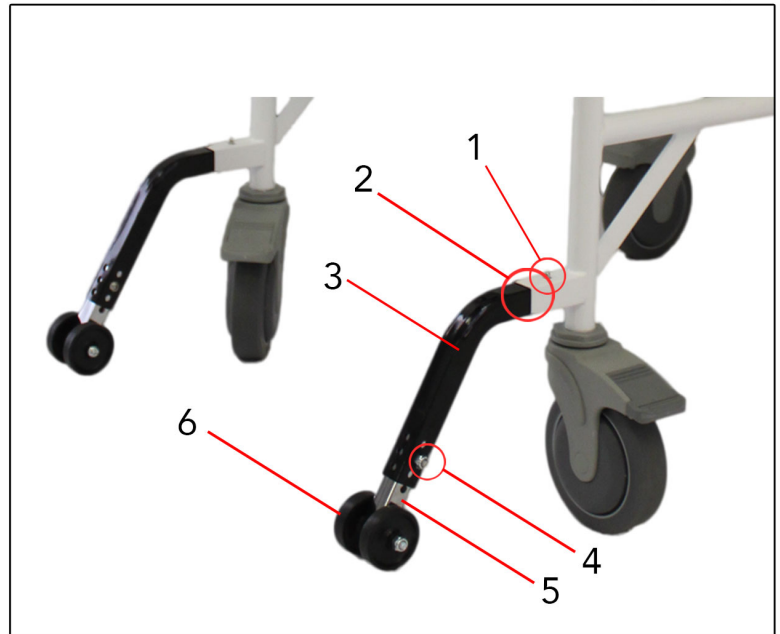


Fig. 9

To remove Anti-Tippers:

Press down on release pin(1) and remove the anti-tipper device by pulling it out of the chair socket(2).

To adjust the Anti-Tipper height:

Loosen bolt(4) from the housing(3) and slide the height extension tube(5) to the desired height then tighten the bolt

*Please adjust the Anti-Tippers to a safe height (maximum of 2" from the ground). Whenever the seat height is adjusted by the wheels, be sure to adjust the Anti-Tippers's height as well.

Once again thank you for your purchase of a Maple Leaf Wheelchair. If you have any further questions or concerns, please do not hesitate to contact us directly.



6540 Tomken Road
Mississauga ON L5T 2E9
T 905.564.2250 F 905.564.5424
1.800.362.0873

www.mapleleafwheelchair.ca