

keep living



Nursing bench 150



Nursing bench 200



Nursing table

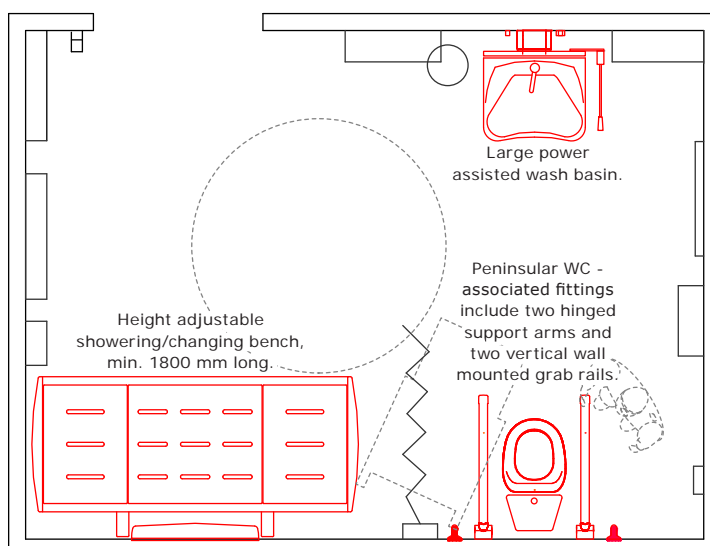
A flexible approach to changing situations

Pressalit Care offers a range of high-quality, fixed height or power-adjusted changing benches designed to provide a stable platform suitable for showering and changing adults and children in a variety of settings: schools, day care centres, institutions, hospitals and private homes.

Meeting recommendations detailed in the British Standard BS8300:2009, the range of height-adjustable, adult-sized changing benches are particularly suitable for Changing Places facilities.

Where people need to be changed or showered lying down, it is important that the bench can be lowered to a suitable height for side transfer, for example from a wheel chair, and then raised to a comfortable and safe working height for the carer.

BS8300 details a Changing Places facility designed to meet the needs of assisted users. Height adjustable shower and changing benches are included in a recommendation of essential products. BS8300 also states the requirement of height adjustable washbasins and hinged toilet support arms, which can also be found in Pressalit Care's innovative range of assistive bathroom products.



Nursing bench 150

A range of showering and nursing benches with PVC coated canvas stretchers, suitable for Changing Places facilities, school hygiene rooms and home adaptations. Maximum weight limit 150 kg.

Nursing bench - adjustable height

Electric nursing bench, 1400 mm **R8400**

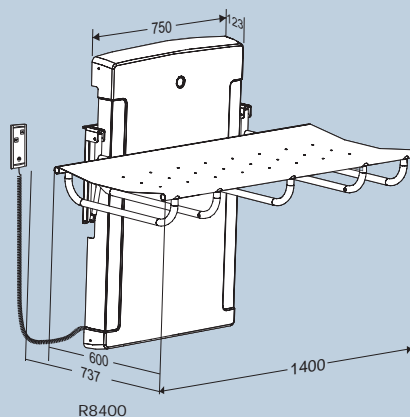
Electric nursing bench, 1800 mm **R8401**

Electric nursing bench, w/safety rail, 1400 mm **R8402**

Electric nursing bench, w/safety rail, 1800 mm **R8403**

When mounted at the recommended height, the height of the nursing bench can be adjusted from 500 to 900 mm above floor.

Incl. remote control.

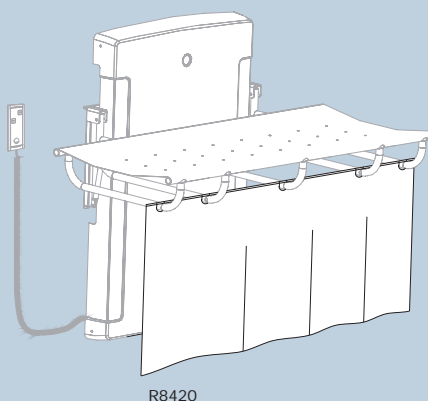


Splash curtain for nursing bench

1400 mm **R8420**

1800 mm **R8421**

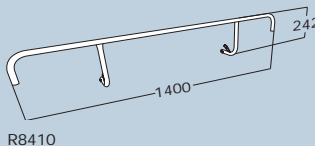
Protects the carer against splashing.



Safety rail

1400-1800 mm **R8410**

Provides safety for the user.



□ 000 White

Materials: Powder-lacquered steel, PVC coated canvas (phthalate free)

Maximum weight: 150 kg

Nursing bench 200

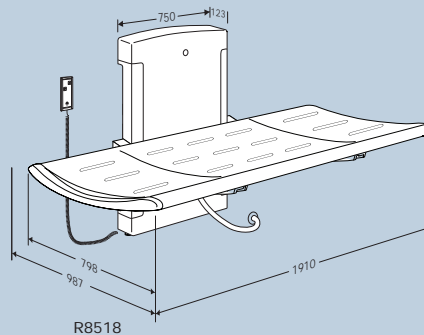
Stylish showering and nursing benches featuring integral water collection tray and adjustable head support, suitable for Changing Places facilities, school hygiene rooms and home adaptations. Maximum weight limit 200 kg.

Nursing bench – adjustable height

- 1800 mm, 700 mm height adj., electric motor **R8518**
- 1300 mm, 700 mm height adj., electric motor **R8513**
- 1800 mm, 700 mm height adj., el. motor, safety rail **R8538**
- 1300 mm, 700 mm height adj., el. motor, safety rail **R8533**

When mounted at the recommended height, the height of the nursing bench can be adjusted from 300 to 1000 mm above floor.

Incl. remote control and flexible hose, 1500 mm.



R8518

Projection when folded:
With safety rail 330 mm
Without safety rail 300 mm



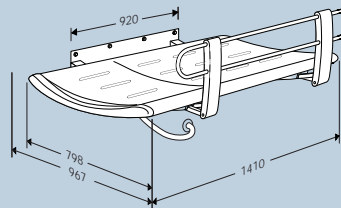
R8518

Nursing bench – fixed height

- 1800 mm **R8508**
- 1300 mm **R8503**
- 1800 mm, safety rail **R8528**
- 1300 mm, safety rail **R8523**

When the bench is mounted at the recommended height, the lying surface height is 865 mm above floor.

Incl. flexible hose, 1500 mm.



R8523

Projection when folded:
With safety rail 310 mm
Without safety rail 280 mm

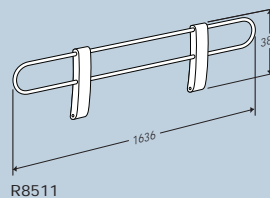


R8508

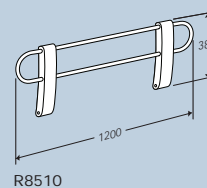
Safety rail

- 1636 mm **R8511**
- 1200 mm **R8510**

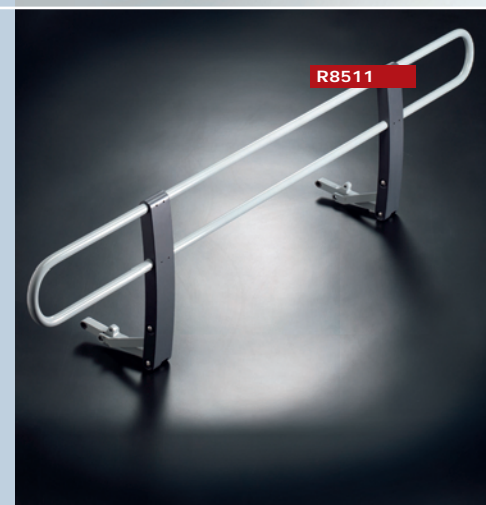
Provides safety for the user.
Can be easily folded up or down.



R8511



R8510



R8511

021 Lead grey

Materials: Aluminium, polyurethane foam with marine ply core, powder-lacquered steel

Maximum weight: 200 kg

Nursing tables

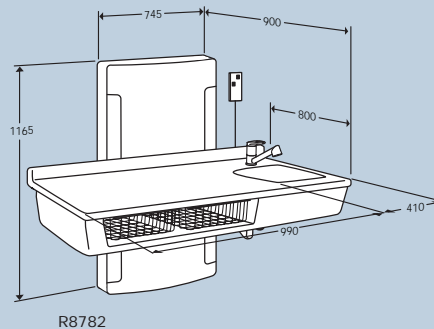
A range of nursing and changing tables ideal for kindergartens and nurseries. Variable height adjustment ensures that it is always possible to adjust the nursing table to a comfortable working height. Maximum weight limit 75 kg.

Nursing table with sanitary appliances

800 x 1400 mm, electric motor with handheld remote control **R8782**

When mounted at the recommended height, the nursing table can be adjusted from 300 mm to 1000 mm above floor.

Incl. remote control, integrated sink, tap with pull-out spout, feed/waste system, 2 wire baskets.



R8782



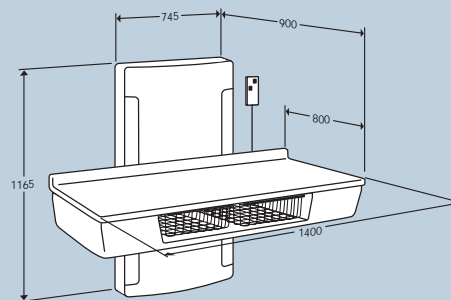
R8782

Nursing table

800 x 1400 mm, electric motor with handheld remote control **R8762**

When mounted at the recommended height, the nursing table can be adjusted from 300 mm to 1000 mm above floor.

Incl. remote control, 2 wire baskets.



R8762



R8762

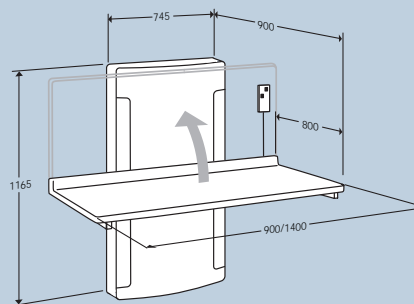
Nursing table, folding version

800 x 1400 mm, electric motor with handheld remote control **R8772**

800 x 900 mm, electric motor with handheld remote control **R8771**

When mounted at the recommended height, the nursing table can be adjusted from 300 mm to 1000 mm above floor.

Incl. remote control.



R8772

Projection when folded: 250 mm



R8772

000 White

Materials: ABS plastic, powder-lacquered steel

Maximum weight: 75 kg

Guard rails and safety accessories are available for Pressalit Care nursing tables.

Pressalit Care plc
100 Longwater Avenue
Green Park, Reading
RG2 6GP

Tel: (0) 844 880 6950
Fax: (0) 844 880 6951

uk@pressalitcare.com

www.pressalitcare.co.uk



keep living