

Carbon Ultralight

KEEP DISCOVERING THE WORLD AROUND YOU

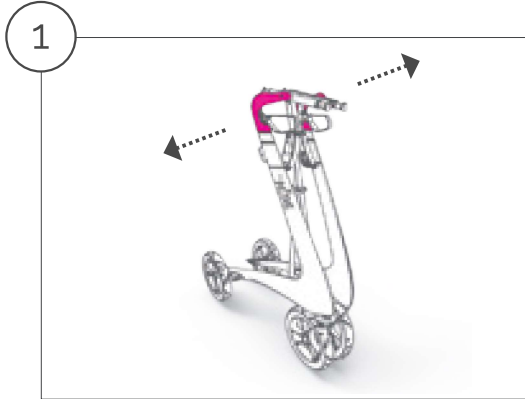


Congratulations with your new Carbon Ultralight rollator.
Humbly speaking, it is the world's lightest rollator.
In order to utilise all the possibilities the Carbon Ultralight provides, it is important that you carefully study this user manual.



Use of the Carbon Ultralight

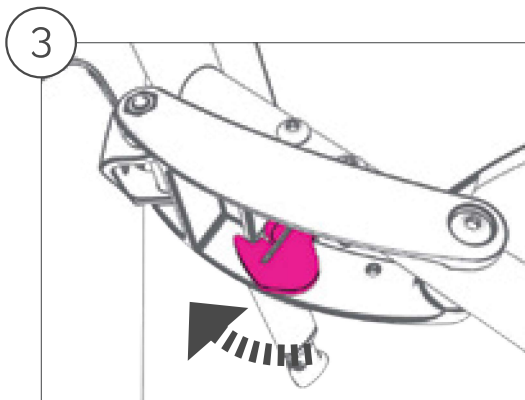
Unfolding



1. To unfold the rollator, simply pull the handles outwards.



2. Push downwards on the outer rails of the seat in one swift motion, until you hear a significant click from the locking mechanism.

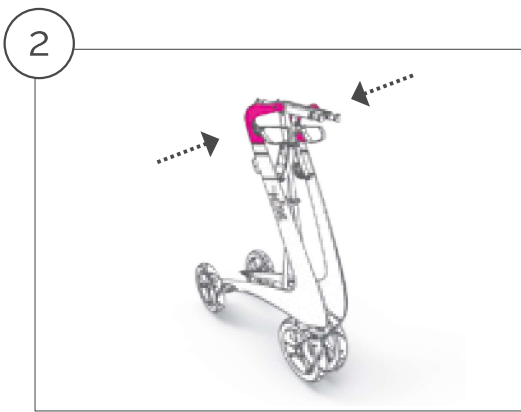


3. If you are in doubt whether the folding mechanism is correctly locked e.g. in a noisy environment, please check that the locking hook under the seat is properly locked into place.

Folding



1. Lift the seat by the cut-out in the centre to release the locking mechanism.



2. To ensure that the rollator is completely folded, push the handles toward each other.

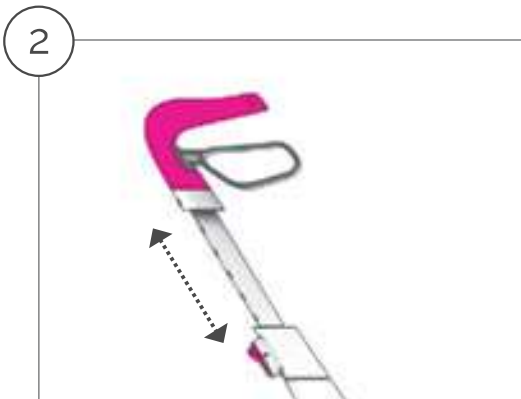
Height adjustment of the handles



Due to ergonomically as well as safety reasons it is important that the height of the handles are adjusted correctly. The correct adjustment of the handles is very individual.

A rule of thumb is that the handles should be level with your wrist when standing in an upright position.

If you are in doubt, consult your physical therapist, occupational therapist or another specialist.

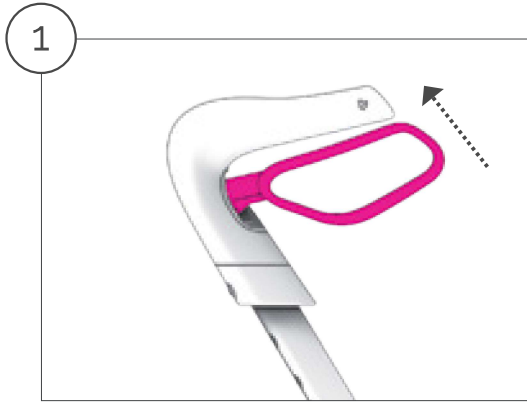


1. Press on the height adjustment button on the frame with one hand while pulling the handle with the other.



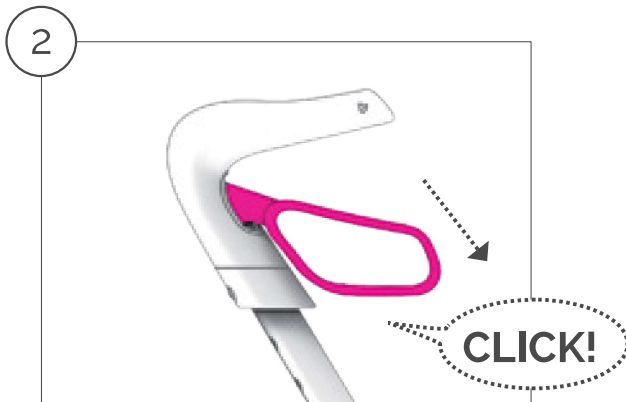
2. Adjust the handle to the desired height and release the height adjustment button.
3. Check that the handle is locked in a secure position by moving it up and down and the height adjustment button is in the locked position.

Brakes



Carbon Ultralight is equipped with two independent brakes acting on the rear wheels.

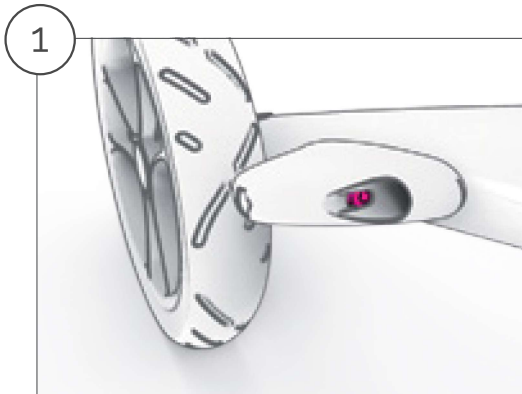
1. Pull the brake levers upwards to activate the brake. The lever moves back to the neutral position when the brake lever is released.



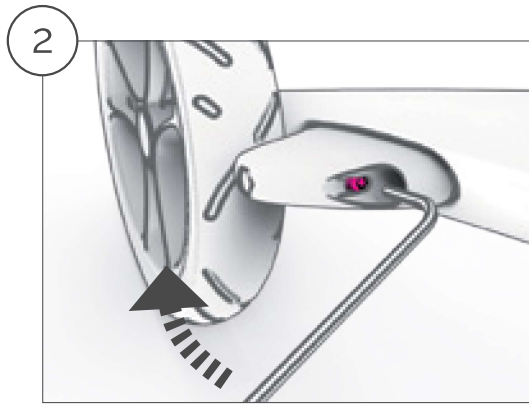
2. The parking brake is activated by pressing the brake lever down until you hear a click sound. Release the parking brake by pulling the brake lever back to the neutral position.

- ⚠ Always engage both parking brakes when you sit on the seat.
- ⚠ Under normal circumstances both brakes should be activated simultaneously.
- ⚠ Be aware that when only one brake is activated, Carbon Ultralight will turn to the same side as the engaged brake.
- ⚠ Do not store with the parking brake activated as prolonged activation of the parking brake can leave visible marks on the wheel and decrease the braking performance.

Adjustment of the brakes

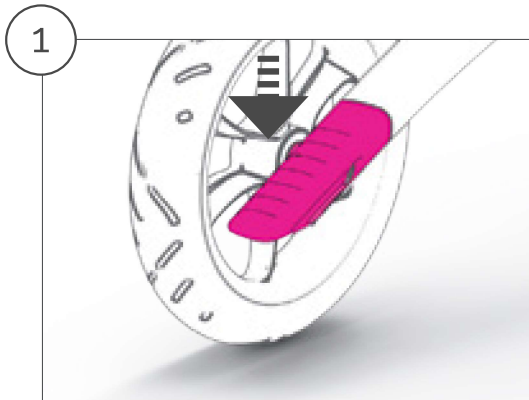


The brake should be adjusted if the brake force applied to the wheel is insufficient (this can occur if the tyres are worn) or the parking brake is difficult to activate (which is most often seen after replacement of a worn down tire). Always set the handle to the desired height before the brake is adjusted as the position may cause a little variation of the brake adjustment.

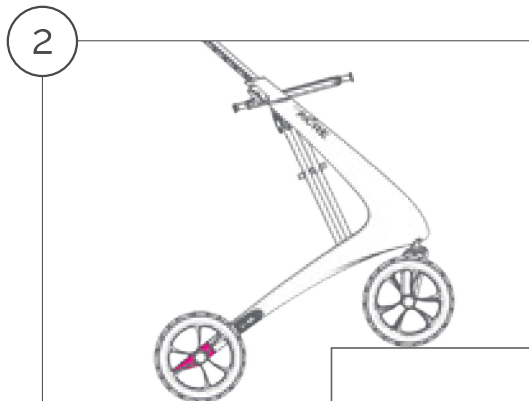


1. Adjust the brake with a 2mm Allen wrench.
Insert the Allen wrench into the adjustment screw through the hole in the front of the brake unit.
2. The brake is tightened by turning the adjustment screw clockwise (viewed from the front) and loosened by turning the adjustment screw counter-clockwise (viewed from the front).

Kerb lifter



Even though Carbon Ultralight is the world's lightest walker and therefore is easier to lift, it is equipped with a kerb lifter that makes it easier to get over smaller obstacles like kerbs and low steps. This is particularly helpful if heavy objects are transported in a front-mounted basket or bag.



1. Carefully press on the kerb lifter with a foot.
2. Pull slightly by the handles to lift the front wheels off the ground.

⚠ Be aware that the stability of Carbon Ultralight changes when it is reclined.
Be cautious and try to bypass rather than climb high obstacles.

Technical data

Weight without accessories: 4950g

Height: 790-910mm

Width: 630mm

Length: 666mm

Seat height: 610mm

Wheel diameter: 200mm

Max user weight: 130kg

Tested and approved according to EN ISO 11199-2:2005

Accessories

Carbon Ultralight can be made even more useful with original accessories. A full display of our range can be found at www.byacre.com.

All of our accessories are model specific, and of course tested with it to ensure your safety.

The accessories should always be installed according to the manual that comes with the product. Maximum payload for bags and baskets are always specified in the manual.

⚠ Never use non-original accessories with the rollator, as this could pose a potential risk for your safety.

Maintenance & cleaning

Carbon Ultralight should be regularly maintained by removing dust and dirt. Pay special attention to keeping the brakes clean to ensure that they always work as intended.

All surfaces can be cleaned with a textile cloth and clean water, if necessary with a little non-abrasive detergent. Wipe with a dry cloth afterwards. Do not use paper towels as these can scratch the surfaces.

Occasionally it may be necessary to tighten one or more screws. This can be done with a T25 or a H3 key.

Parts subject to wear such as wheels and brakes should be replaced in good time before they may pose a security risk. Any defective part must be replaced immediately.

⚠ Never use the Carbon Ultralight if it is in any way defective. Contact your dealer for servicing.

Tips for safe use

Always check that the brakes work properly prior to any use of the Carbon Ultralight. They are important for your safety.

One of the advantages our lightweight rollator is that it gets much easier to go up and down slopes. You do not have to push as much weight uphill and there is not so much weight that can slip away from you downhill. You must always be aware that the stability of Carbon Ultralight changes when you walk on slopes. Pay special attention when walking on a sideways slope.

Although Carbon Ultralight features large flexible wheels that make it easy and comfortable to walk on uneven surfaces, it is important that you look carefully where you go. Be aware that the rollator, accessories or items you carry may obscure your view to the ground in front of you. Take care to prevent the rollator from hitting obstacles that can cause it to stop suddenly as this may increase the risk of falling.

The seat of Carbon Ultralight should only be used when both parking brakes are activated. Carbon Ultralight is not intended for the transport of children, nor is it in any way a toy for children. Keep an eye on children to ensure they do not climb on the rollator.

Warranty

Carbon Ultralight is covered by a 2 year warranty. The warranty period can be extended if you register your Carbon Ultralight on www.byacre.com. The warranty does not cover moving parts, misuse and normal wear.



The warranty on the rollator is 2 years.

byACRE offers additional 3 years of warranty on the frame.

Simply create an account at www.byacre.com and register your product within three months after the purchase

To keep the warranty please remember to save your proof of purchase.

Manufactured in Denmark by:
byACRE ApS
Bygmarken 4
3520 Farum
Denmark

by  **ACRE**