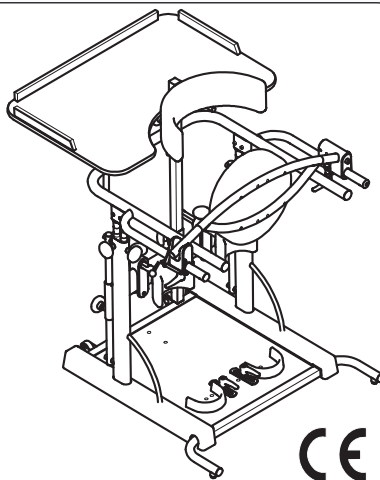


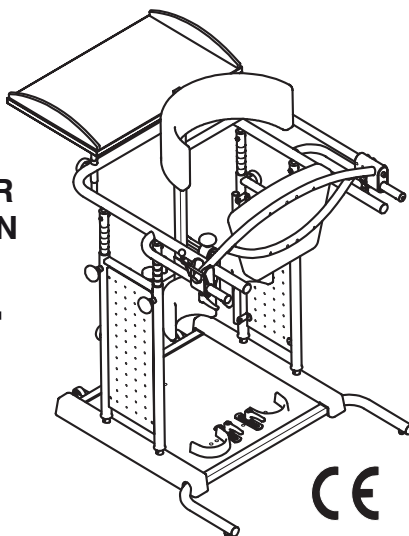
**STANDING FRAME FOR  
THE UPRIGHT POSITION**

**STANDY 3**



**STANDING FRAME FOR  
THE UPRIGHT POSITION**

**STANDY 4**



**USE AND MAINTENANCE HANDBOOK**

**ORMESSA®**



**Thank you** for choosing **STANDY**, from ORMESA s.r.l.

The STANDY combines style and ergonomics without compromising on safety.

**ORMESA recommends that you read this manual very carefully to fully understand its contents.** In addition to helping you become familiar with STANDY quickly, it also contains practical tips for making the best use of it safely and keeping it in good working order.

Following the recommendations of this manual will help you achieve the rehabilitative goal for which this aid was developed.

If, after reading it, you still have questions, contact your retailer, who will be happy to help you, or call INNOVATION IN MOTION directly at 1.260.665.2769, send a fax to 1.260.665.3047 or send an e-mail to [iim@mobility-usa.com](mailto:iim@mobility-usa.com)

Luigi Menichini  
Managing Director



**TABLE OF CONTENTS**

**WARNINGS**..... 4

**LABELS AND PLATES** ..... 7

**CONFORMITY DECLARATION** ..... 7

**SOME EXAMPLES OF WHAT NOT TO DO WITH STANDY** ..... 8

    HOW TO MOVE STANDY ..... 9

**INITIAL PREPARATION** ..... 10

    PACKING INFORMATION..... 10

**TECHNICAL CHARACTERISTICS STANDY 3** ..... 11

**TECHNICAL CHARACTERISTICS STANDY 4** ..... 12

**HOW TO USE STANDY** ..... 13

**WHAT DOES STANDY DO**..... 13

**HOW STANDY WORKS** ..... 14

**HOW TO ASSEMBLE STANDY** ..... 16

    Fitting the WORK TABLE on STANDY 3 ..... 16

    Fitting the WORK TRAY on STANDY 4 ..... 17

**HOW TO ADJUST STANDY** ..... 18

    Adjusting the height of the CHEST SUPPORT on STANDY 3..... 19

    Adjusting the height of the CHEST SUPPORT on STANDY 4..... 20

    Adjusting the height of the HAND SUPPORT RING and BACK SUPPORT on STANDY 3..... 21

    Adjusting the height of the HAND SUPPORT RING and BACK SUPPORT on STANDY 4... 22

    Adjusting the depth of the BACK SUPPORT on STANDY 3..... 23

    Adjusting the depth of the BACK SUPPORT on STANDY 4..... 24

    Adjusting the width, height and depth of the KNEEPADS on STANDY 3 and STANDY4...25

    Adjusting the HEEL STOPS on STANDY 3 and STANDY 4..... 28

    Adjusting the height of the WORK TABLE on STANDY 3..... 29

    Adjusting the height of the WORK TRAY on STANDY 4 ..... 29

    Adjusting the depth of the WORK TABLE on STANDY 3 ..... 30

    Adjusting the depth of the WORK TRAY on STANDY 4 during use ..... 30

    Opening the BACK SUPPORT on STANDY 3..... 31

    Opening the BACK SUPPORT on STANDY 4..... 32

How to remove the HANDLE on STANDY 4..... 33

**MOUNTING AND ADJUSTMENT OF ACCESSORIES..... 34**

SIDE SUPPORT 857 on STANDY 3..... 34

SIDE SUPPORT 857 on STANDY 4..... 35

4-WHEEL SET 861 on STANDY 3..... 36

4-WHEEL SET 861 on STANDY 4 ..... 37

HEADREST 865 on STANDY 3..... 38

HEADREST 865 on STANDY 4..... 39

FRONT FOOT RESTRAINTS with BELTS 902 on STANDY 3..... 41

FRONT FOOT RESTRAINTS with BELTS 902 on STANDY 4..... 42

**MAINTENANCE, CLEANING AND DISINFECTION..... 43**

**CUSTOMER SERVICE AND SPARE PARTS ..... 44**

**CONDITIONS FOR DURABILITY, REUSE AND REASSIGNMENT TO A NEW USER**  
**..... 45**

**WARNINGS**

- **CAREFULLY READ AND UNDERSTAND THE INSTRUCTIONS IN THIS MANUAL BEFORE USING THE DEVICE BECAUSE THEY HAVE BEEN WRITTEN WITH THE USER'S SAFETY IN MIND** and they will help the carer use the product safely and keep it in good working order. The Use and Maintenance Manual is an integral part of the product and must be carefully preserved for future reference.
- **THE MANUAL IS INTENDED FOR TECHNICALLY QUALIFIED RETAILERS AND FOR USERS AND THEIR ASSISTANTS;** it provides instructions for using the product correctly and must be supplemented by adequate knowledge of the rehabilitation program for which it has been prescribed.
- **The manual reflects the technical state of the product at the time it was sold. ORMESA RESERVES THE RIGHT TO MAKE ANY CHANGES TO THE PRODUCT OR MANUAL** suggested by experience, technical considerations or regulatory developments without any obligation to update its previous production and relevant manuals.
- **STANDY must be prescribed by a MEDICAL SPECIALIST** who will also supervise its use.
- **ATTENZIONE!** **REGOLATE lo stabilizzatore secondo LA CORRETTA POSIZIONE per l'utilizzatore** (v. § «COME REGOLARE STANDY» da pag. 18).
- **ATTENZIONE!** **After adjusting STANDY, make sure that all adjustable parts have been locked, so to prevent dangerous situations (follow the instructions in section HOW TO ADJUST STANDY from pag. 18).**
- STANDY must only be used by **persons whose bodily measurements and weight** conform to the specifications in the paragraph "**TECHNICAL CHARACTERISTICS**" on pages 11 and 12.
- **STANDY is designed for only internal use.**
- **ATTENTION!** **The product is not fireproof**, so keep STANDY far from flames, cigarettes or fires.

STANDY IS A MECHANICAL MEDICAL DEVICE:



Perform REGULAR MAINTENANCE and CLEANING following the instructions shown in the "Maintenance" chapter on page 42-43 and HAVE THE DEVICE INSPECTED AT THE INTERVALS INDICATED to VERIFY that it is WORKING PROPERLY and in GOOD CONDITION, **otherwise warranty will fail and CE marking will lapse**



PRODUCT REPAIRS other than the regular maintenance shown on page 42-43 of the manual must be ONLY MADE by a SPECIALIZED SERVICE CENTER in the maintenance of mechanical aids for disabled, **otherwise warranty and CE marking will be voided**



Any CHANGES in the product and the REPLACEMENT WITHOUT ORIGINAL PARTS OR COMPONENTS ARE NOT AUTHORIZED. REFER ONLY TO ORMESA, **otherwise warranty and CE marking will be voided**



In case of DOUBT about the SAFETY of the product or DAMAGE to parts or components, you are urged to IMMEDIATELY DISCONTINUE USE and CONTACT a SPECIALIZED SERVICE CENTER in **the maintenance of mechanical aids for disabled, or directly ORMESA.**

**GUARANTEE**

**ORMESA s.r.l. and INNOVATION IN MOTION WARRANT the product for 2 years** in the case of problems, contact the retailer where you purchased it. Always demand original replacement parts or you will risk voiding the warranty.

**ORMESA will not be liable for damage in the following cases:**

- *use by an unsuitable person;*
- *incorrect assembly of parts or accessories;*
- *unauthorized modifications or service;*
- *use of other than original replacement parts and parts subject to wear (seat and backrest, wheels, etc);*
- *improper use (such as, transporting objects or loads larger or heavier than those shown in the instruction handbook);*
- *damage caused by incorrect use and lack of regular maintenance, as shown in the instruction handbook;*
- *exceptional events;*
- *failure to follow the instructions in this manual.*

**THE GUARANTEE DOES NOT COVER WEAR PARTS, WHICH ARE SUBJECT TO WEAR AND TEAR, SUCH AS THE UPHOLSTERIES AND THE WHEELS.**

**HOW TO STORE AND TRANSPORT THE MEDICAL DEVICE**

**THE DEVICE MUST BE STORED AND PACKED using the Ormesa original packaging materials, unless the guarantee will be voided**

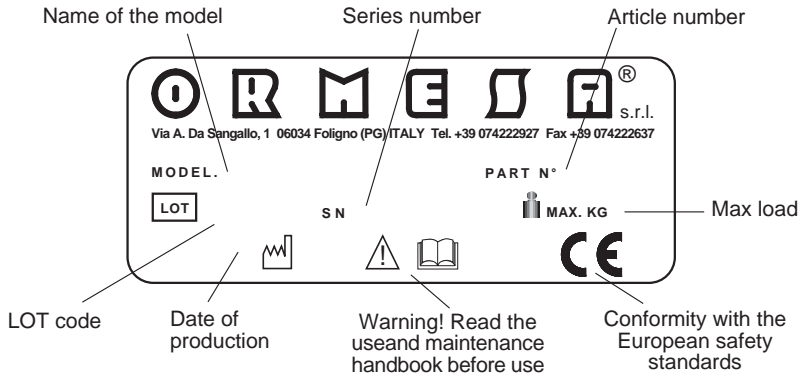
- **Once unpacked, THE TRANSPORT OF THE DEVICE must be done by ANCHORING ADEQUATELY it to the vehicle**
- **When travelling by plane, or in the car, DO NOT SUBJECT THE FOLDED FRAME TO LOADS THAT, especially with road bumps, COULD DAMAGE ITS STRUCTURE**

**THE DEVICE MUST BE PARKED / STORED IN CLOSED AND DRY PLACES**

- **THE OPERATING ENVIRONMENT HAS NO PARTICULAR INFLUENCE ON THE DEVICE UNLESS IT IS USED INCORRECTLY, such as by leaving it parked for a long time in direct sunlight or exposed to bad weather such as rain, or in MARINE ENVIRONMENTS, where the salt air could corrode the paint and sliding parts. IN THIS CASE, WE RECOMMEND CAREFULLY CLEANING AND DRYING THE FRAME FOLLOWING THE INSTRUCTIONS SHOWN IN THE “MAINTENANCE, CLEANING AND DISINFECTION” CHAPTER ON PAGES 42-43 AND THE WARNINGS ⚠ ON PAGE 43**



**LABELS AND PLATES**



**CONFORMITY DECLARATION **

**ORMESA S.r.l.** guarantees and declares, under its own exclusive responsibility, that the following Medical Device, technical aid for rehabilitation:

**STANDY 3 and STANDY 4  
STANDING FRAMES FOR AN UPRIGHT POSITION**


which this declaration refers to, conforms with the general requirements provided in the Directive **93/42/EEC** and subsequent amendments and additions, concerning the medical devices, according to which this aid belongs to the **I risk class** and has been **designed in observance to the following standards:**

<b>CEI EN ISO 14971:2012</b>	<b>Medical Devices - Application of risk management to medical</b>
<b>EN 12182:2012</b>	<b>Technical aids for disabled persons - general requirements and test methods</b>
<b>EN 1041:20 13</b>	<b>Information supplied by the manufacture with medical devices</b>
<b>ISO 9999:2011</b>	<b>Technical aids for persons with disabilities - Classification and terminology</b>
<b>CEI EN 980:2009</b>	<b>Symbols for use in the labelling of medical devices</b>

September 13th, 2017

the Legal Representative  
Luigi Menichini

**SOME EXAMPLES OF WHAT NOT TO DO WITH STANDY**

- **DO NOT USE THE PRODUCT WITH PERSONS LARGER OR SMALLER THAN THE DIMENSIONS SHOWN ON PAGES 11 and 12. STANDY must be prescribed by a medical specialist** in conformity with the laws and standards in force
  - **DO NOT PLACE THE STANDER ON A SLOPING SURFACE OR NEAR STAIRS**
  - **Do not lift the stander to move it WHEN THE PERSON IS USING IT**
  - **DO NOT REST EXCESSIVELY HOT CONTAINERS OR OBJECTS ON THE TRAY SURFACE BECAUSE THEY COULD TIP OVER** and because the wood or covering could be seriously damaged
  - **DO NOT ALLOW OTHER PEOPLE TO USE THE PRODUCT, NOT EVEN FOR PLAYING**
  - **NEVER LEAVE THE USER UNATTENDED OR NEAR OPEN FLAME OR STAIRS**
  - **NEVER LEAVE STANDY PARKED FOR A LONG TIME IN DIRECT SUNLIGHT OR NEAR SOURCES OF HEAT: THIS WILL AVOID OVERHEATING THE DEVICE AND DISCOLOURING THE UPHOLSTERY**
- DO NOT USE THE PRODUCT WITH MISSING OR DAMAGED PARTS** or the warranty  andmark will be voided **DO NOT CARRY THE CHILD OVER ROUGH STEEP SURFACES OR STAIRS**

HOW TO MOVE STANDBY



ATTENTION!  
IT CAN TIP OVER IF TILTED MORE THAN 20°

STANDY 3

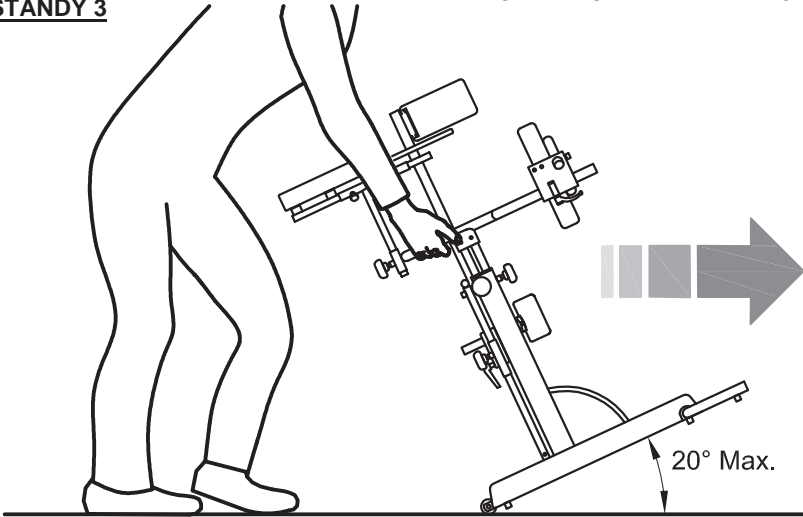


fig. a

STANDY 4

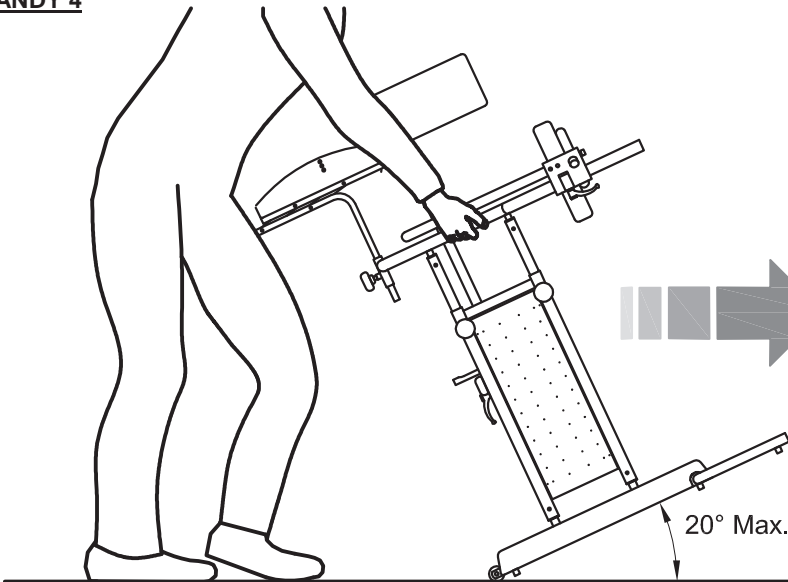
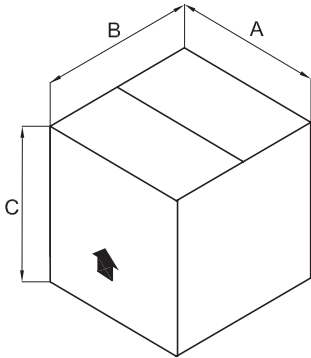


fig. A

**INITIAL PREPARATION**

**PACKING INFORMATION**



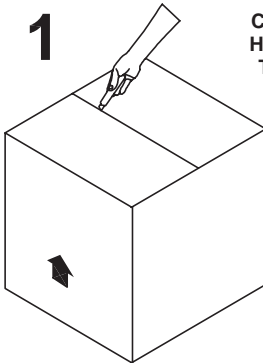
Stander	A cm (inches)	B cm (inches)	C cm (inches)	VOLUME m <sup>3</sup> (inches <sup>3</sup> )	WEIGHT kg (Lbs.)
STANDY 3	80 (31.4)	80 (31.4)	84 (33)	0.537 (32757)	33 (72)
STANDY 4	85 (33.4)	80 (31.4)	93 (36.6)	0.632 (38552)	42 (92)

**REMOVING STANDY FROM THE BOX**

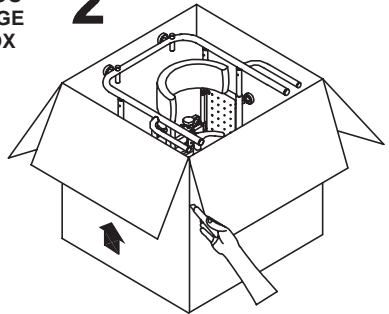


**ATTENTION!**  
CUT WITHOUT PRESSING TOO  
HARD SO AS NOT TO DAMAGE  
THE CONTENTS OF THE BOX

**1**

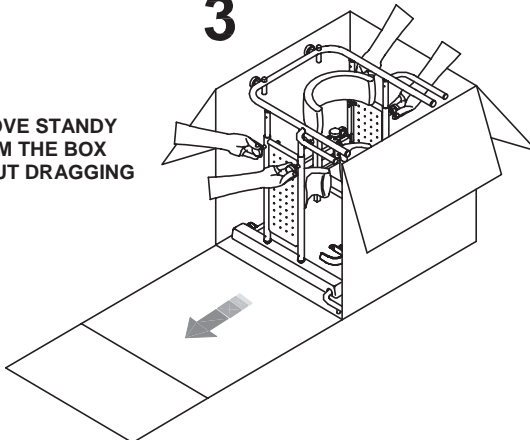


**2**



**3**

REMOVE STANDY  
FROM THE BOX  
WITHOUT DRAGGING

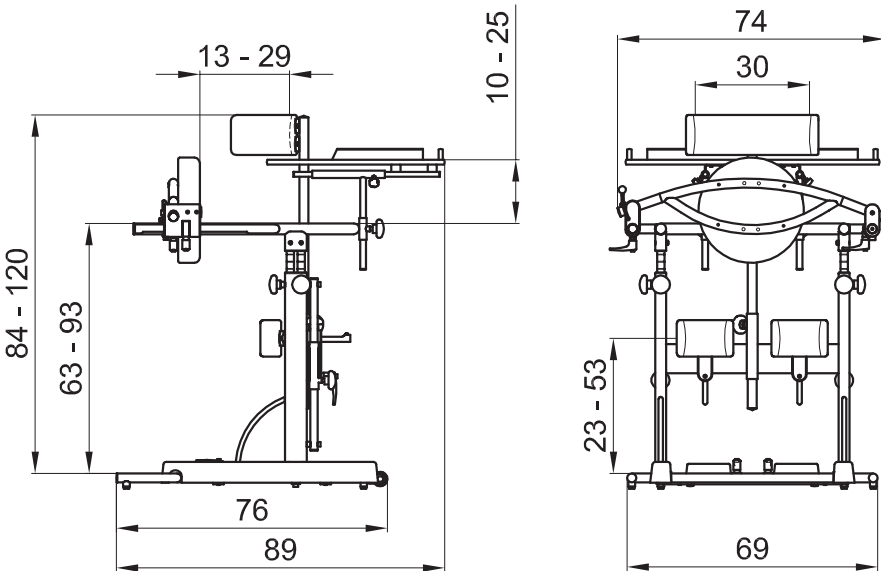


**TECHNICAL CHARACTERISTICS STANDY 3**

- Available in two sizes: **STANDY 3** for children and **STANDY 4** for adults (page 9)
- **Frame** height-adjustable, painted with non-toxic polyester and epoxy-polyester powder paints
- **Ergonomic work table** in plastic laminated wood, height-adjustable, removable. Semi-rigid side protections.
- **Kneepads** width-, depth- and height-adjustable.
- Padded depth- adjustable **back support**.
- Padded height- adjustable **chest support**.
- **Heel stops** width- and depth-adjustable
- **Footrest** in aluminium with diamond-pattern, non-skid surface
- **Wheels** allow moving the aid from one room to another by tilting it, without the user (fig. A on page 9)

**Dimensions in cm**

HYPHEN-SEPARATED NUMBERS INDICATE THE MINIMUM AND MAXIMUM RANGE OF ADJUSTMENT



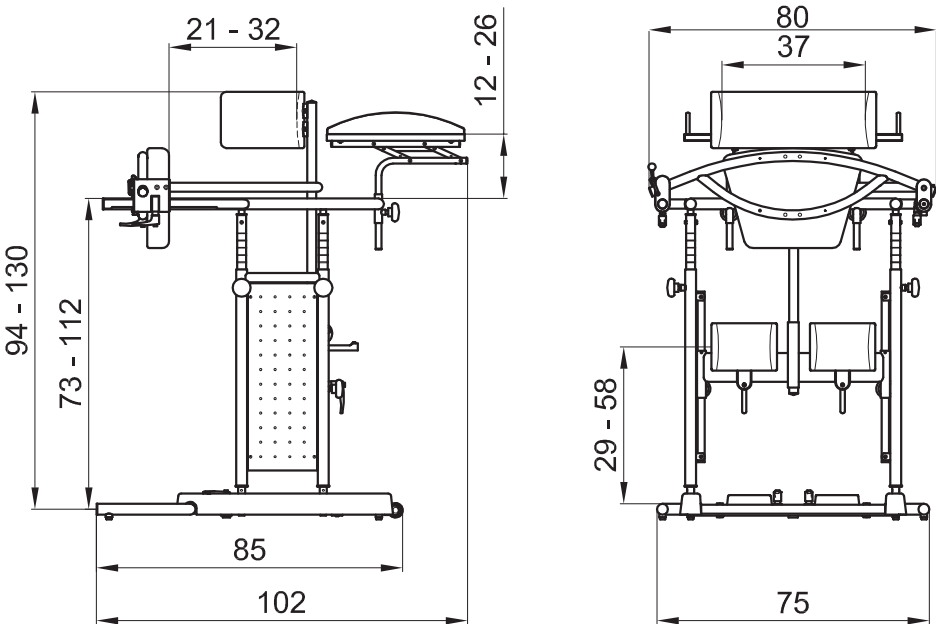
<b>STANDY 3</b>	<b>Aid weight 28.9 kg ( 63.7 Lbs.)</b>	<b>Max. load 90 kg (198 Lbs. )</b>
-----------------	--	------------------------------------

**TECHNICAL CHARACTERISTICS STANDY 4**

- Available in two sizes: **STANDY 3** for children and **STANDY 4** for adults
- **Frame** height-adjustable, painted with non-toxic polyester and epoxy-polyester powder paints
- **Work tray** in plastic laminated wood, height-adjustable, removable
- **Kneepads** width-, depth- and height-adjustable covered with fireproof material
- **Arm support** adjustable, chromed
- Padded depth- adjustable **back support**.
- Padded height- adjustable **chest support**.
- **Heel stops** width- and depth-adjustable
- **Footrest** in aluminium with diamond-pattern, non-skid surface
- **Wheels** allow moving the aid from one room to another by tilting it, without the user (fig. A on page 9)

**Dimensions in cm**

HYPHEN-SEPARATED NUMBERS INDICATE THE MINIMUM AND MAXIMUM RANGE OF ADJUSTMENT



<b>STANDY 4</b>	<b>Aid weight 38 kg ( 83.7 Lbs.)</b>	<b>Max. load 120 kg ( 264 Lbs.)</b>
-----------------	--------------------------------------	-------------------------------------

---

## HOW TO USE STANDY

**STANDY IS A STANDER DESIGNED FOR ACHIEVING AND MAINTAINING AN ERECT POSITION.**

It is recommended for persons such as paraplegics, quadriplegics, spastics, dystonics, hypotonics and the elderly and **MUST BE PRESCRIBED BY A MEDICAL SPECIALIST WHO HAS DETERMINED:**

- that there are no dislocations or fractures of the lower limbs
- that there is no dislocation of the hip
- that there is no bone fragility
- that the person is not convalescing from recent surgery
- that the person's dimensions and weight are not greater than the maximum weight and/or shorter or taller than the heights indicated on page 11-12
- the degree of extension of the lower limbs
- that the intended user is capable of using the aid

**THE DEVICE IS INTENDED FOR USE:**

- at home
- in specialized rehabilitation centres
- in hospital gymnasiums
- in nursing homes



**DO NOT LEAVE THE USER UNATTENDED OR NEAR OPEN FLAME OR STAIRS**



**THE AID MAY BE USED OUTDOORS ONLY IF THE SURFACE IS FLAT AND WELL-PAVED AND PROTECTED FROM BAD WEATHER**

---

## WHAT DOES STANDY DO

**STANDY HAS BEEN DESIGNED:**

- to provide training in achieving an erect position
- for maintaining the upright position with the load on two feet, which would otherwise be impossible

With **STANDY** the user obtains a postural adaptation that allows the body to maintain a **secure position, anchored and bound by the support surfaces**, allowing selective exploration and a dialogue with the surrounding physical/social world.

**STANDY** can, in fact, be used **in normal life situations by children and adults, increasing opportunities for their active involvement and, thus, real integration.**

**AN APPROPRIATE USE OF STANDY CAN FACILITATE:**

- the prevention of deformities
- training the postural muscles
- the control and straightening of the head, facilitated by the decreased gravity-opposing effort of the trunk thanks to the chest support, which can be removed when there is sufficient trunk control (**fig. F, f page 19-20**)
- the programmed control of labyrinthine-vestibular function disturbances
- the experience of manual activities guided by vision, eased by the fact that the upper limbs are freed from protection and support functions

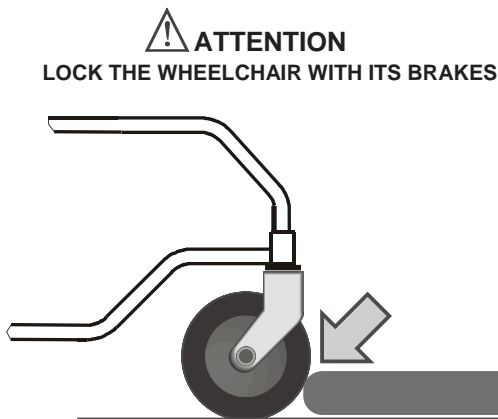
**IN ADDITION, AN ERECT POSITION:**

- increases respiratory capacity due to increased ventilation and reduced obstructive phenomena
- facilitates peristalsis
- facilitates circulatory functions

It is especially important to emphasize that **STANDY** is an aid that **increases the ability to adapt to the surrounding environment by increasing personal autonomy, i.e., the possibility of relating to oneself, others and the physical environment: the ability to “put oneself in contact with ...”**

**HOW STANDY WORKS**

- Bring the wheelchair close until it touches the base of the stander with its front wheels



- Position the lower limbs in the HEEL STOPS (see page 20)
- Make sure that the kneepads allow the knees to flex slightly: flexion can be increased or decreased with the person in the upright position by adjusting the kneepads or heel stops (see pages 25-26 and 27)



**If the product has accessory 861, engage the brakes before making the adjustments**



Be very careful to apply **ADEQUATE FORCE TO THE CHEST AND PELVIC SUPPORTS**: in fact, it must be **SUFFICIENT TO ENSURE A MINIMUM OF STABILITY**.

- **Fig. B:** avoid **excessive support** that could cause a “feeling of constriction”
- **Fig. C:** a **support that is too “light”** could cause “**fear of falling**” reactions or a **feeling of instability**
- **Fig. D:** in the **correct position**, the **feet** should be equidistant from the centre of the support platform, the **pelvis** symmetrical and aligned with the trunk, and the **trunk** and **legs** extended

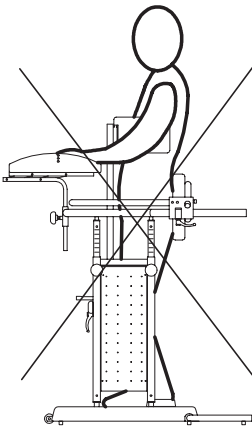
If there is sufficient trunk control, the chest support may be lowered or removed (see p. 16).



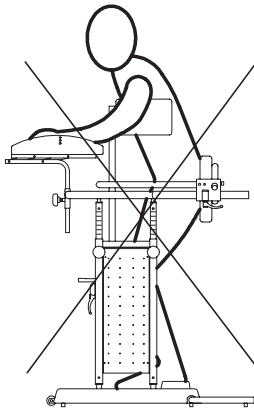
**ATTENTION: THE STANDER MUST ALLOW THE USER TO PERFORM ACTIVITIES IN A CORRECT AND FACILITATING POSITION AND MUST NOT SERVE TO KEEP THE PERSON STILL OR IMMOBILE**

The work tray, which is also adjustable, should be set so that it allows use of the hands with the upper limbs semi-extended.

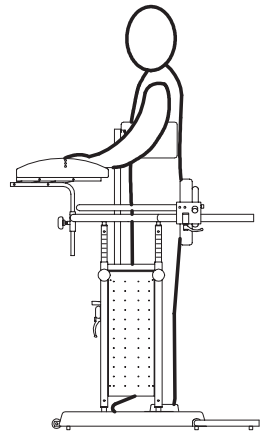
**fig. B**



**fig. C**



**fig. D**



HOW TO ASSEMBLE STANDY

Fitting the WORK TABLE on STANDY 3

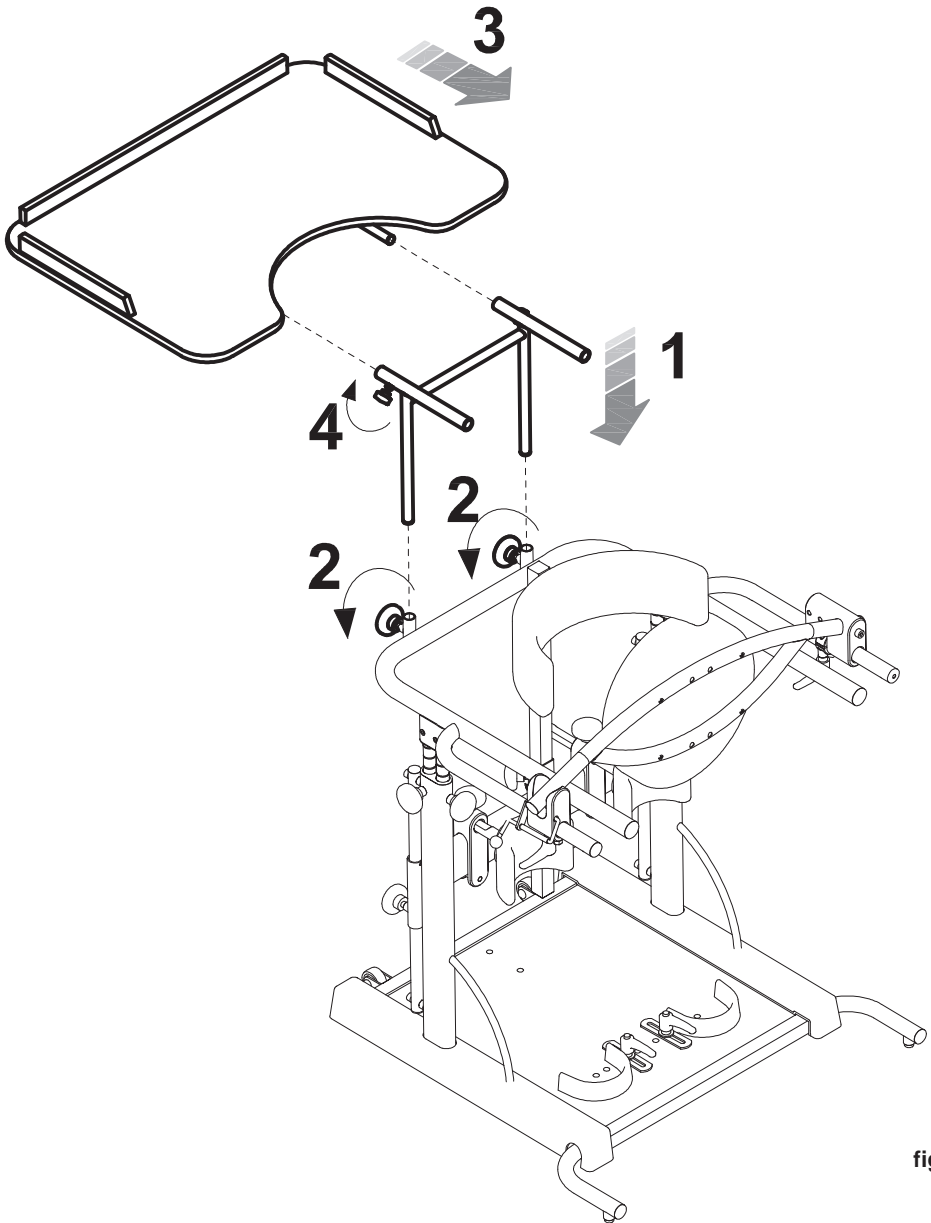


fig. e

Fitting the WORK TRAY on STANDY 4

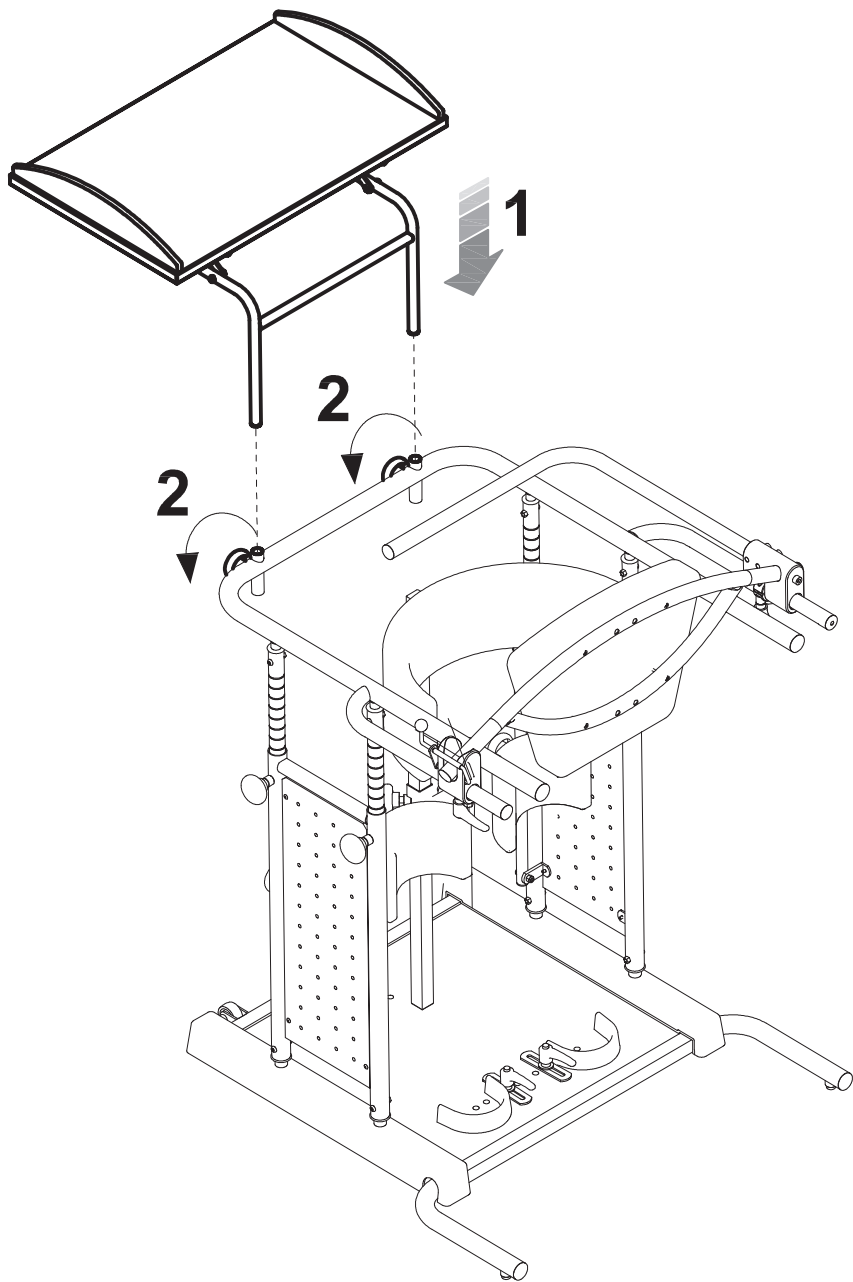


fig. E

## HOW TO ADJUST STANDY

THE STANDER IS ADJUSTED IN THREE PHASES AND MUST BE PERFORMED UNDER THE DIRECT SUPERVISION OF THE SPECIALIST WHO PRESCRIBED IT.

### 1<sup>st</sup> PHASE: YOU MUST MEASURE:

1. the person's height from below the chest to the ground, which must be used to position the chest support.
2. the distance from the kneecap to the ground, which must be used to position the stander's kneepads

The measurements can be taken with the person standing or lying down.

### 2<sup>nd</sup> PHASE: INITIAL ADJUSTMENT WITHOUT THE USER

Transfer the measurements made in phase 1 to the stander

### 3<sup>rd</sup> PHASE: SUBSEQUENT ADJUSTMENT WITH THE USER

Check:

1. that, once closed, the back support is located in the centre of the buttocks. The height of the arm support will depend on the positioning of the rear pelvis thrust cushion
2. the positioning of the kneepads
3. the positioning of the heel stops in width and depth
4. the position of the thoracic support
5. the position of the tray, which must be set by checking the user's height from under the elbow to the ground (minimum height). In those cases where it is not possible to take this measurement with the person standing, measure the distance from bent elbow to feet with the user lying down. To operate the handle (STANDY 4 only) the tray must be moved away.
6. the vertical alignment of the thorax and the pelvis (any lateral deviation can be corrected with accessory 857, see pages 33 and 34)
7. the flexion of the limbs: the standing position is determined by the front-to-back adjustment of the cback support, kneepads and heel stops



#### **ATTENTION:**

**ALL ADJUSTABLE ELEMENTS MUST BE LOCKED!!!**

**MAKE SURE THAT ALL THE ADJUSTMENTS ARE SECURELY LOCKED IN PLACE TO AVOID SITUATIONS OF DANGER FOR THE USER.**



#### **WARNINGS:**

**THE ADJUSTMENTS MUST BE CHECKED BY THE PRESCRIBER AND REHABILITATION THERAPIST WHEN CONSIDERED APPROPRIATE TO OPTIMIZE THE STANDING POSITION, BECAUSE ADEQUATE USE AFFECTS THE PERSON'S FLEXION AND DECREASES HIS/HER RIGIDITY**

**Adjusting the height of the CHEST SUPPORT on STANBY 3**  
 It can be removed for users with sufficient trunk control

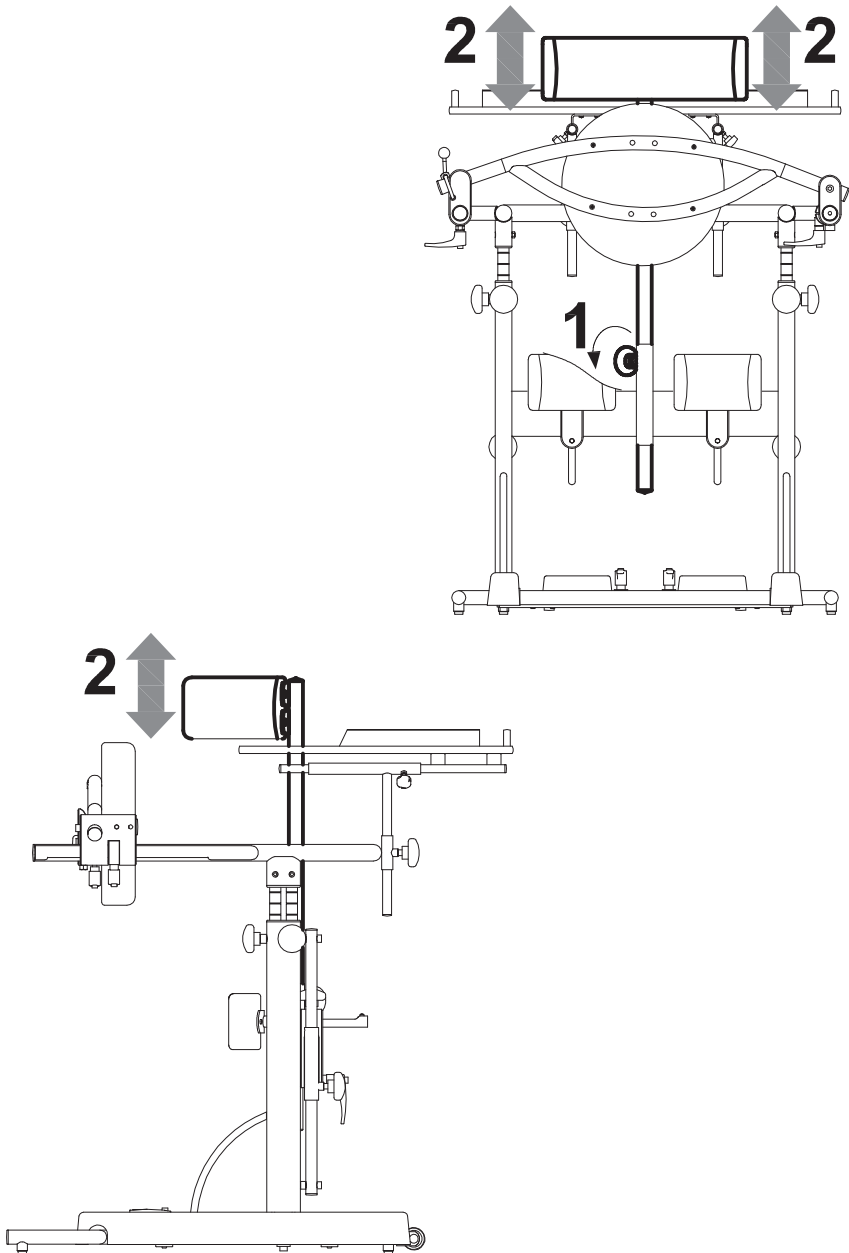


fig. f

**Adjusting the height of the CHEST SUPPORT on STANDY 4**

It can be removed for users with sufficient trunk control

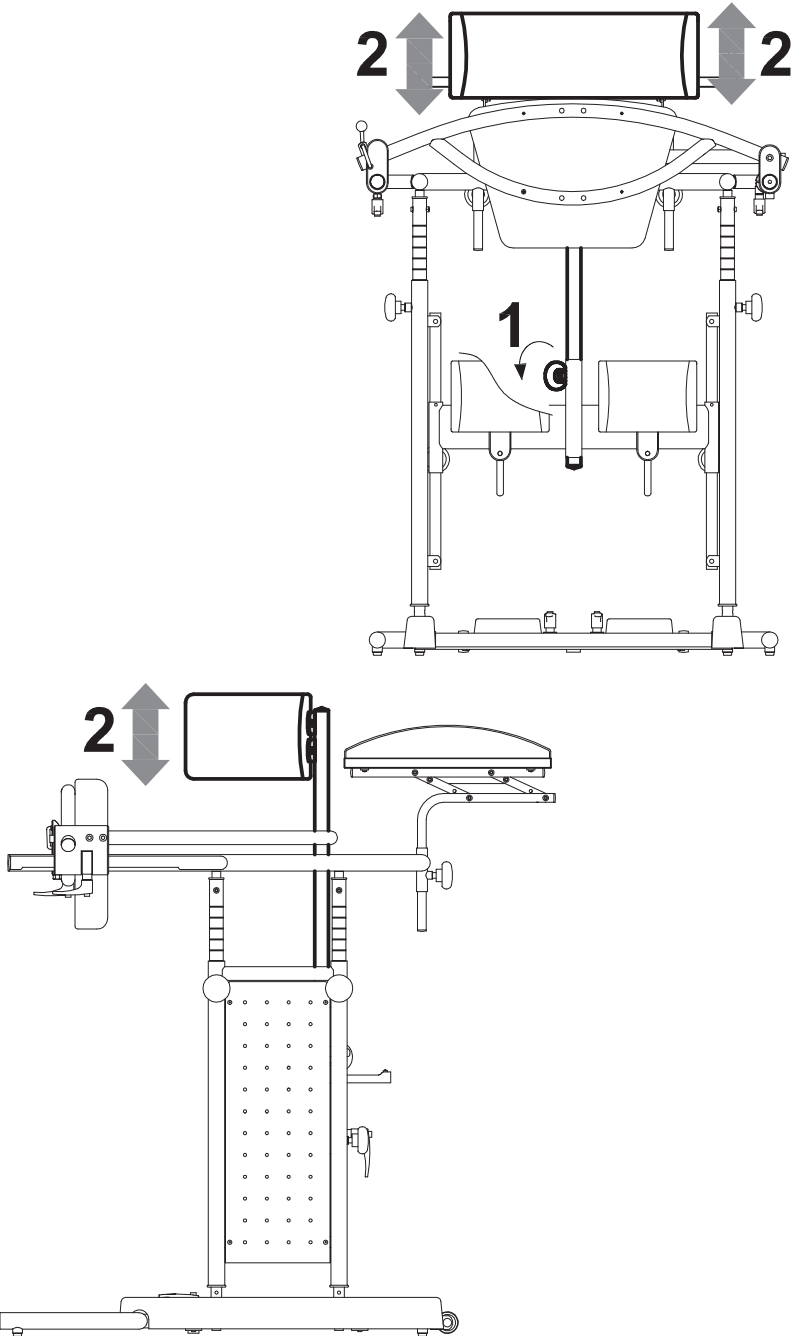


fig. F

Adjusting the height of the HAND SUPPORT RING and BACK SUPPORT on STANBY 3

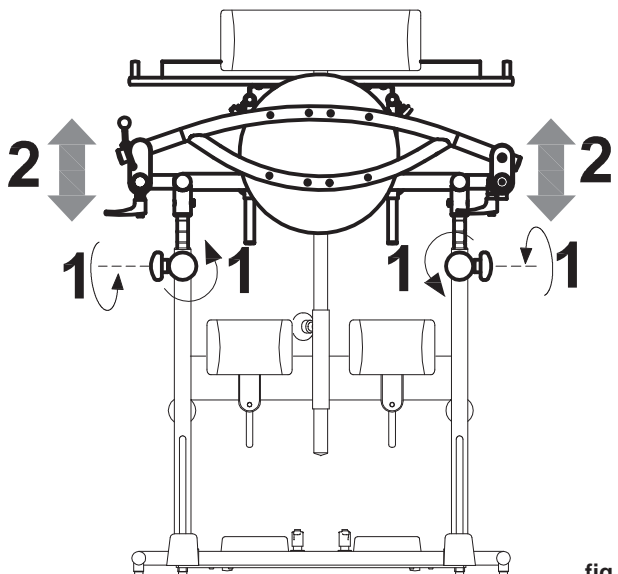
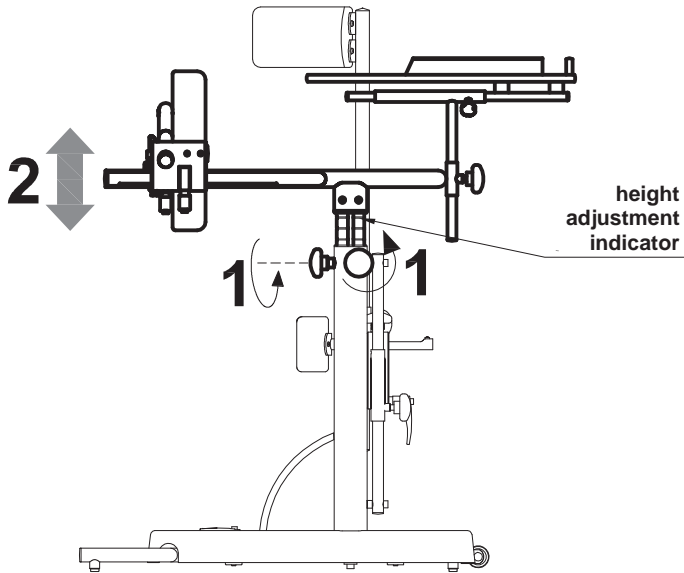


fig. g

Adjusting the height of the HAND SUPPORT RING and BACK SUPPORT on STANDBY 4

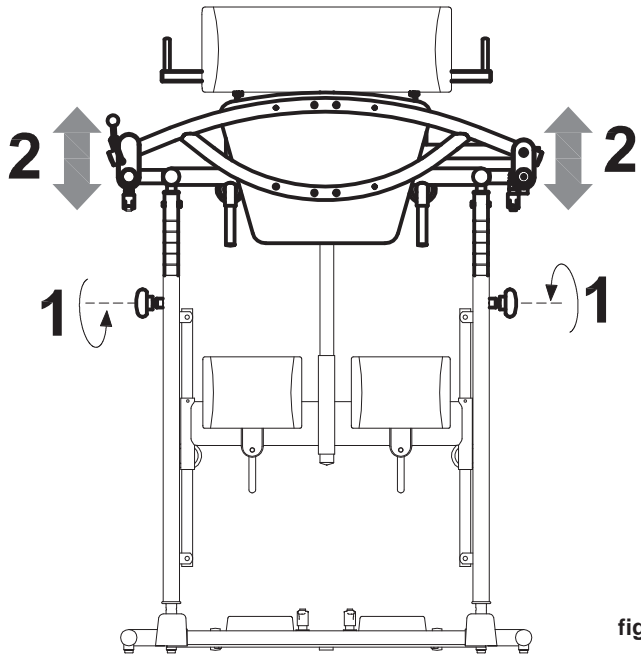
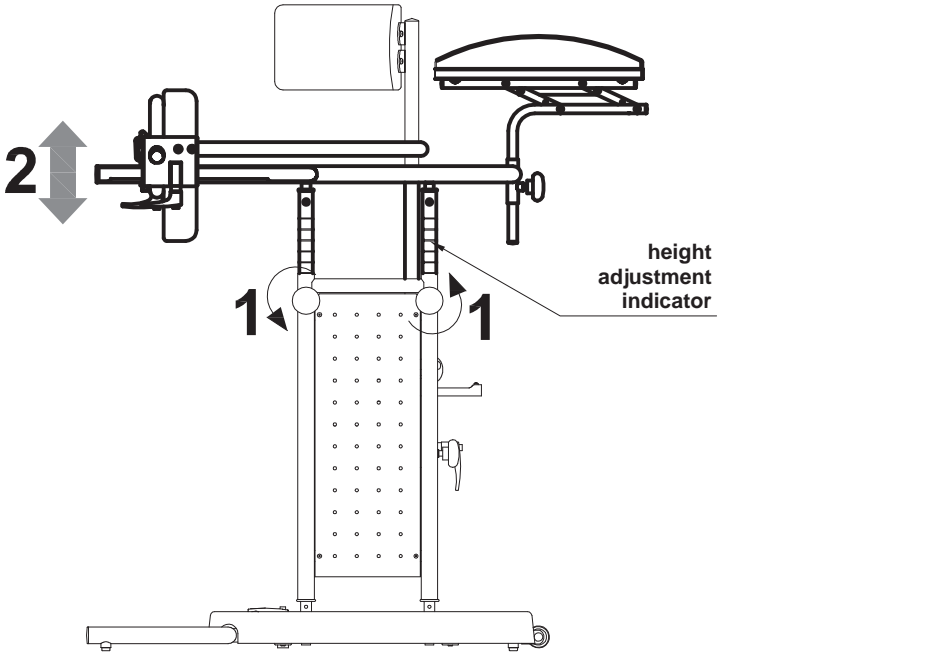


fig. G



Adjusting the depth of the BACK SUPPORT on STANDY 3

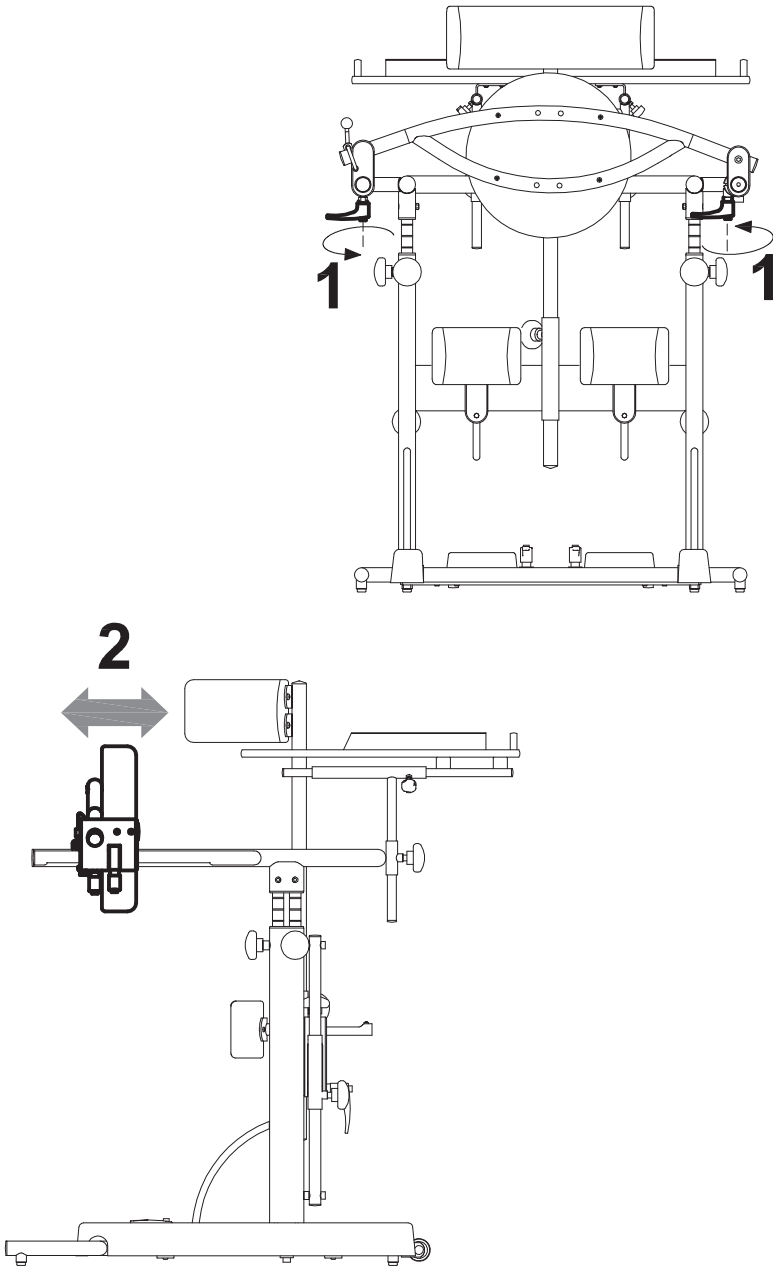


fig. h

Adjusting the depth of the BACK SUPPORT on STANBY 4

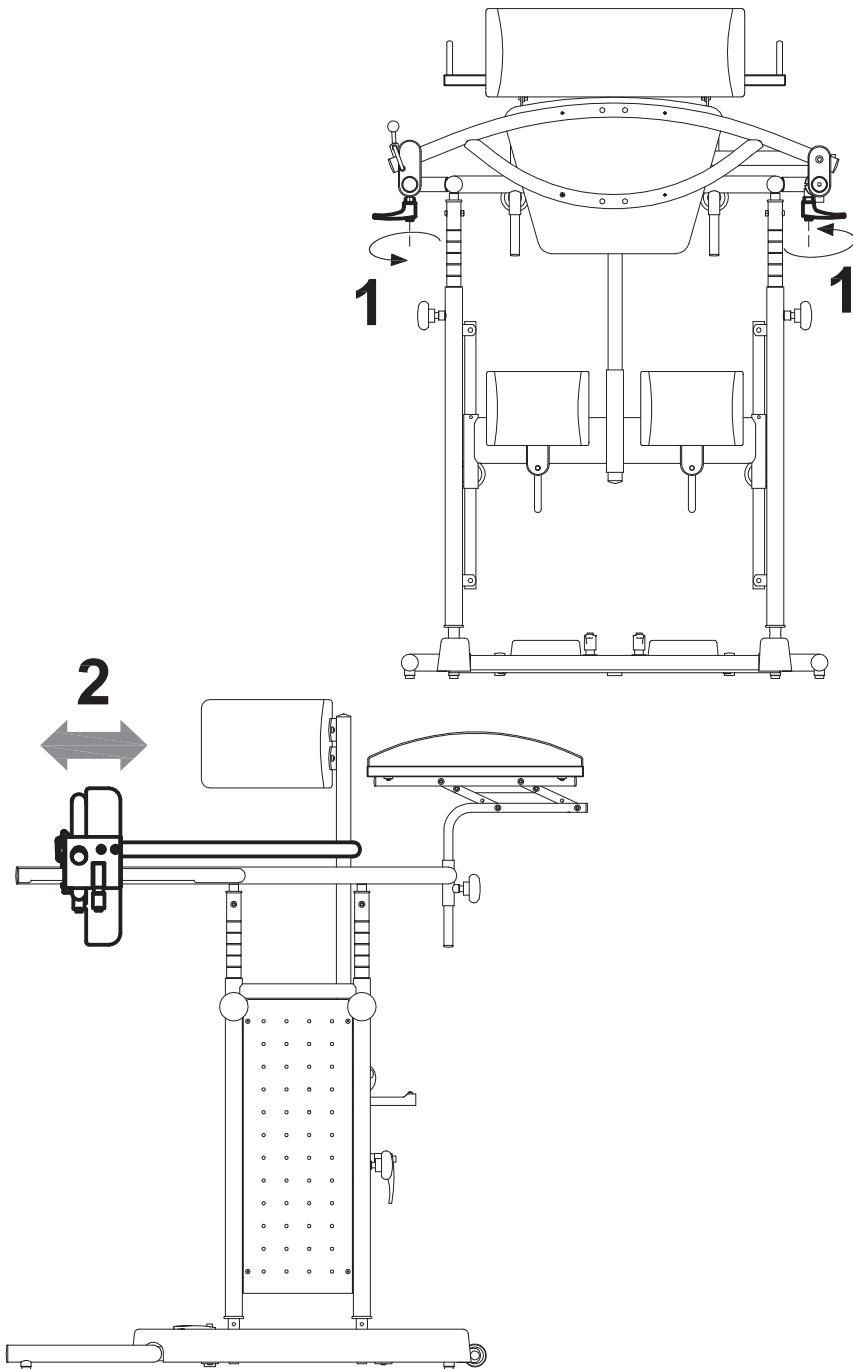


fig. H

Adjusting the width, height and depth of the KNEEPADS on STANDY 3 and STANDY 4

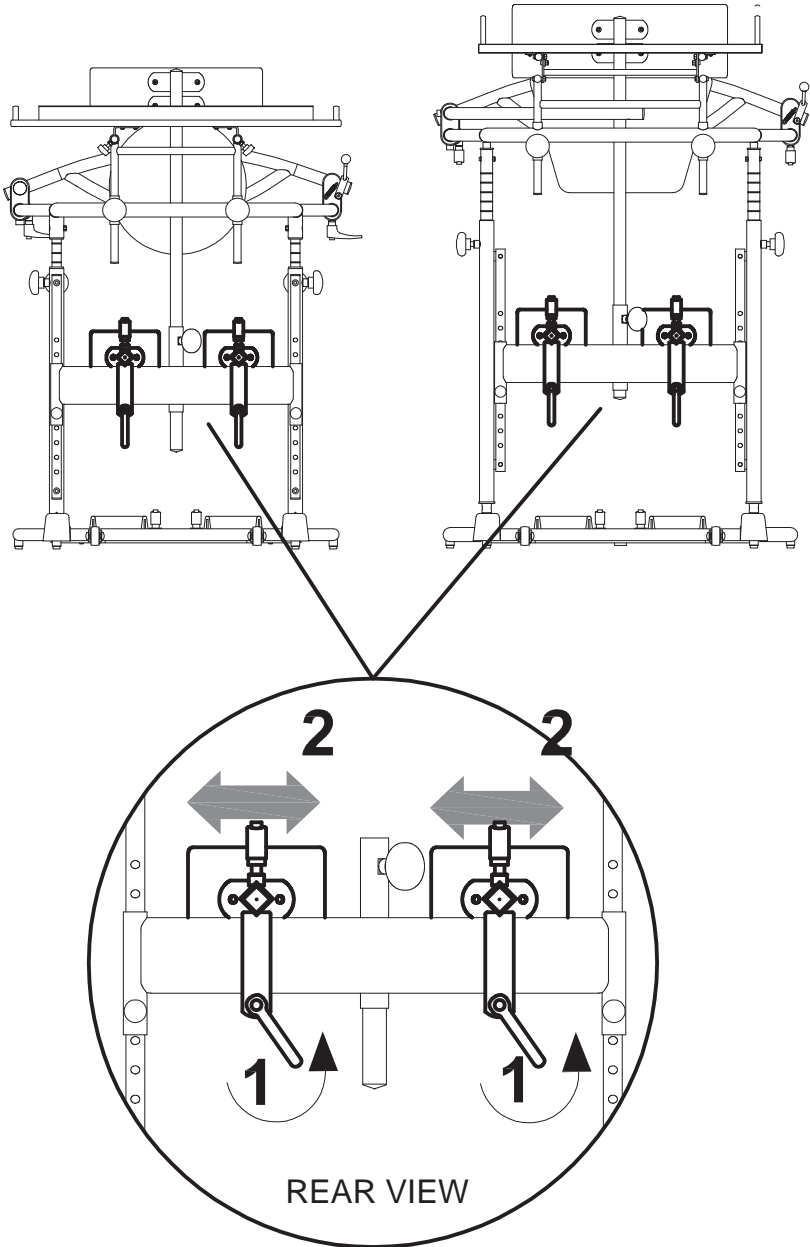
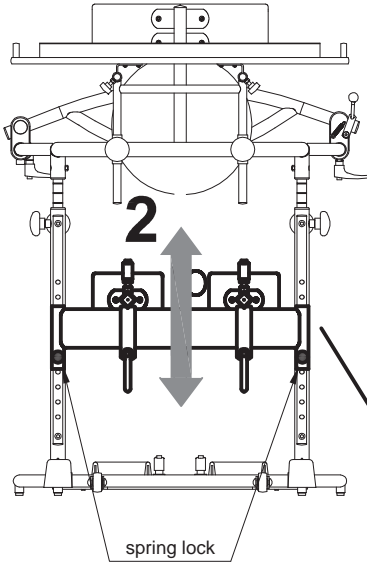


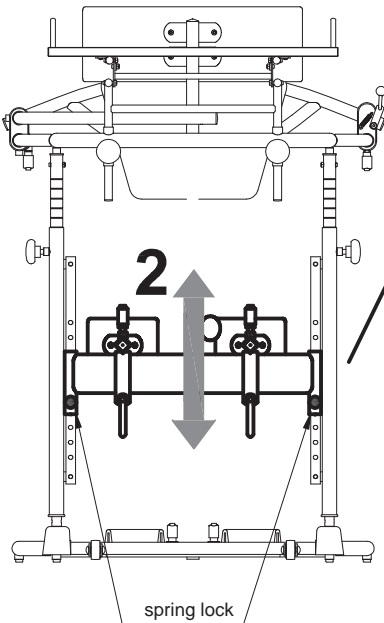
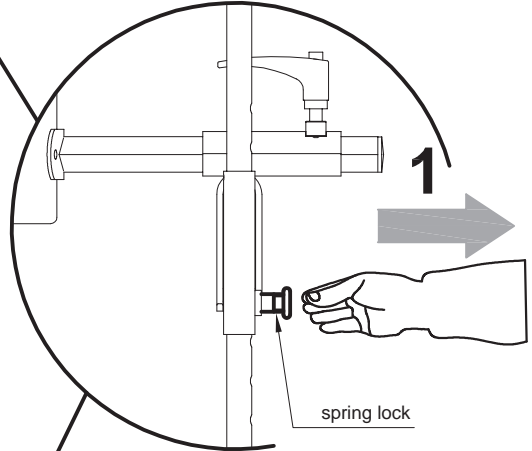
fig. i



1. PULL THE TWO SPRING LOCKS WITH BOTH HANDS

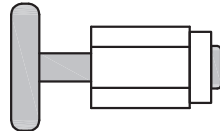
2. ADJUST THE KNEE-PADS IN HEIGHT (CLICK)

SIDE VIEW



CAUTION! MAKE SURE THAT THE SPRING LOCKS ARE COMPLETELY LOCKED

SPRING LOCK "UNLOCKED"



SPRING LOCK "LOCKED"

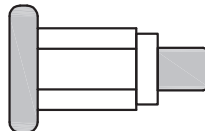


fig. i1

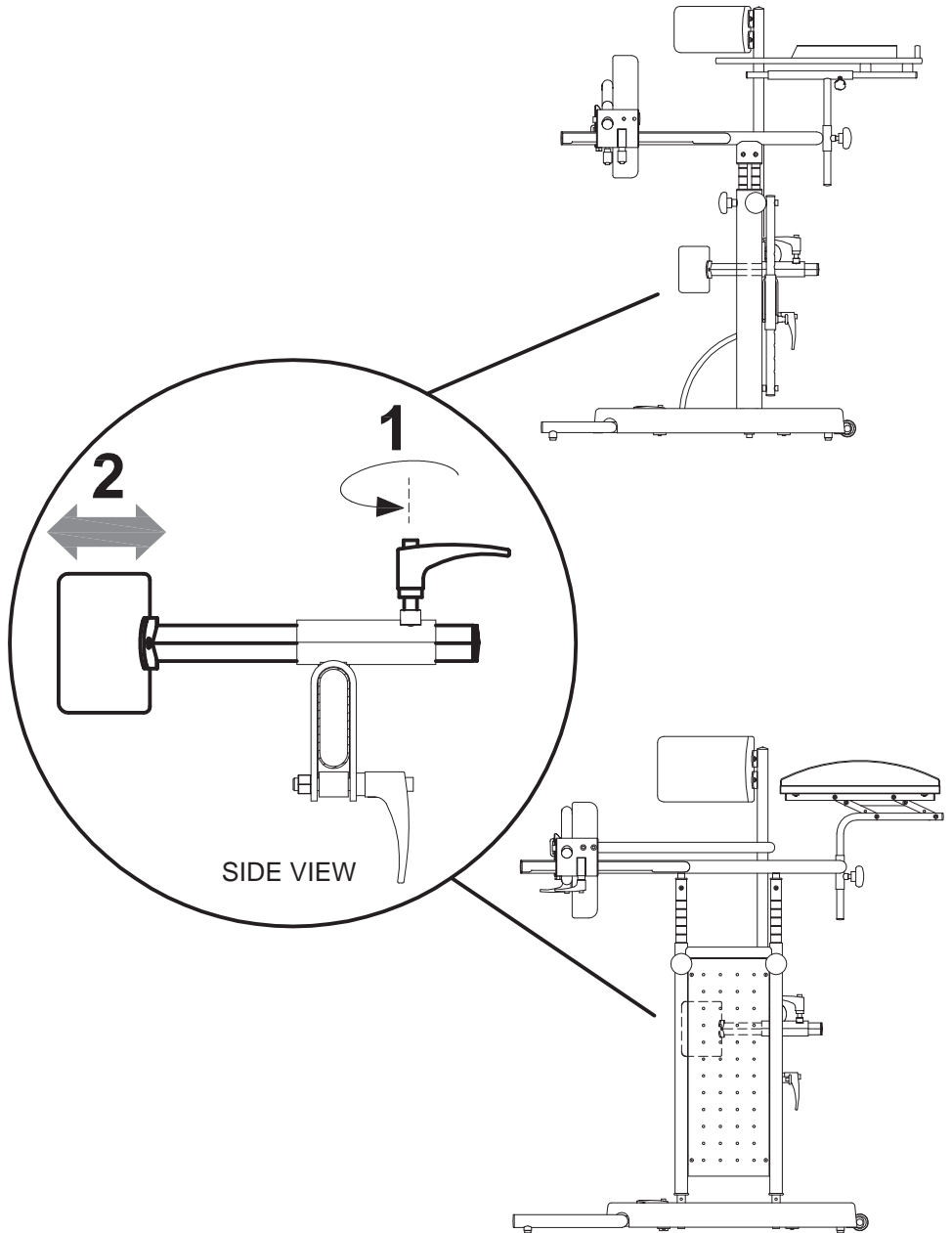


fig. 1

Adjusting the HEEL STOPS on STANDBY 3 and STANDBY 4

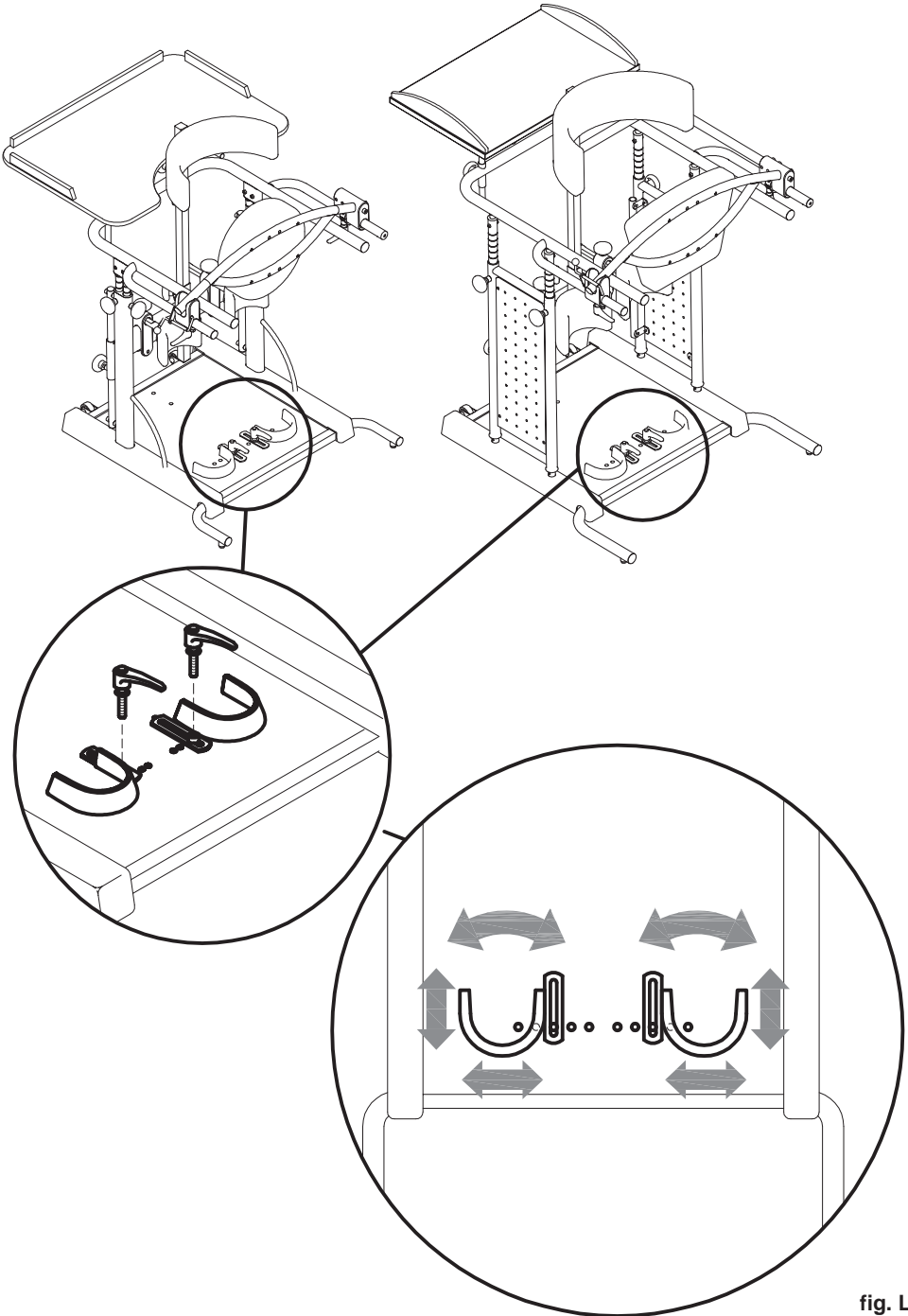


fig. L

Adjusting the height of the WORK TABLE on STANDY 3

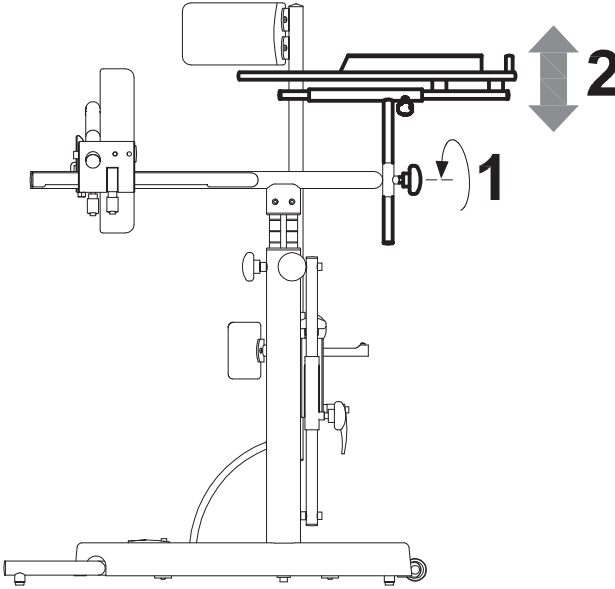


fig. m

Adjusting the height of the WORK TRAY on STANDY 4

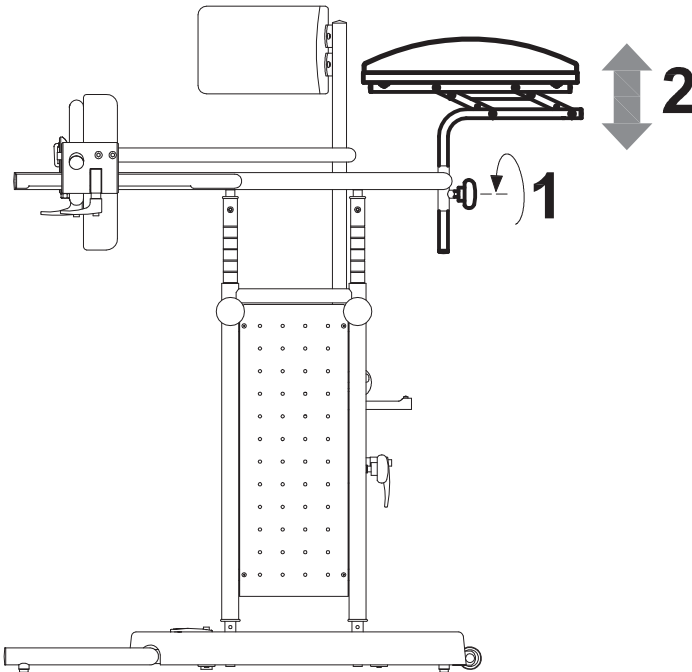


fig. M

**Adjusting the depth of the WORK TABLE on STANDY 3**

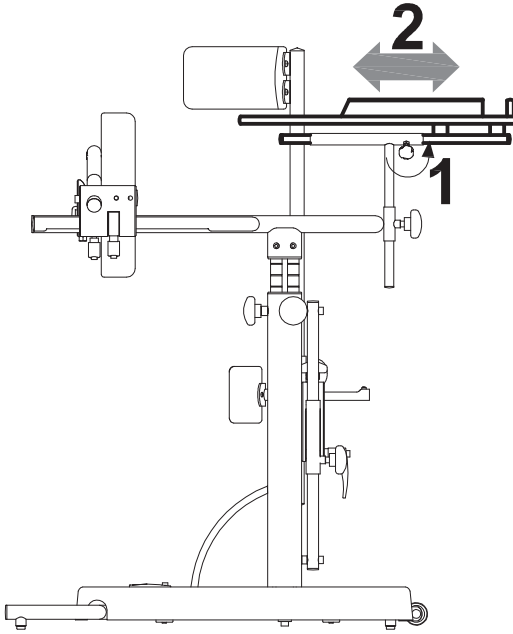


fig. n

**Adjusting the depth of the WORK TRAY on STANDY 4 during use**

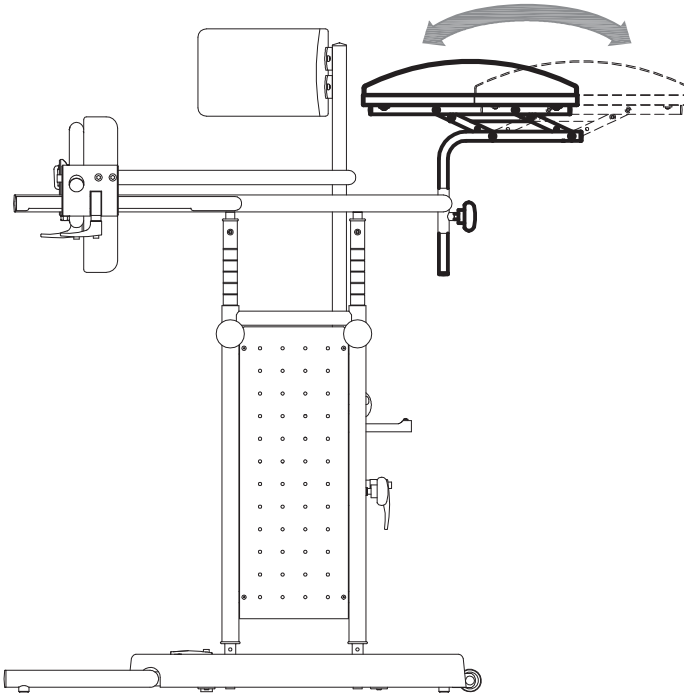


fig. N



Opening the BACK SUPPORT on STANBY 3

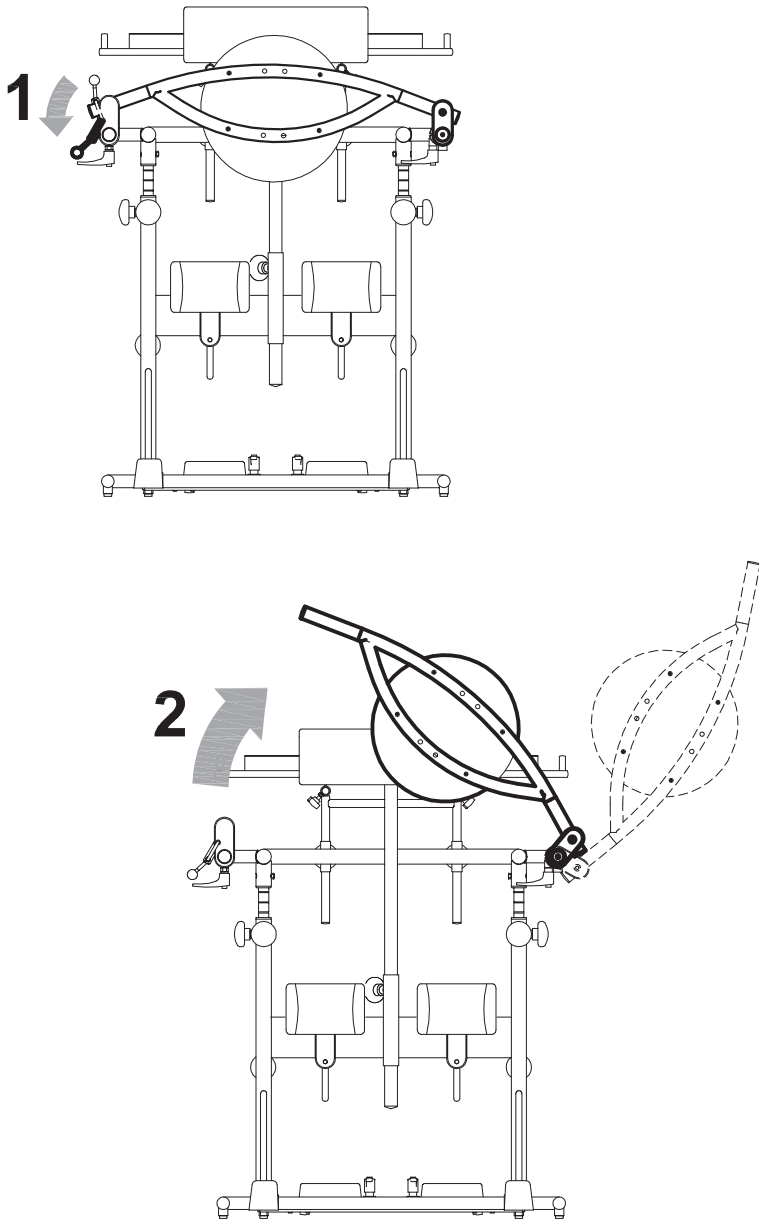


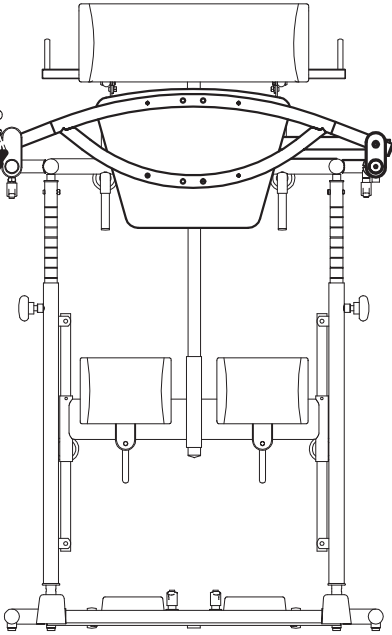
fig. o

Opening the BACK SUPPORT on STANDBY 4



FIRST MOVE THE TRAY FORWARD AND AWAY (see fig. N on page 29)

1



2

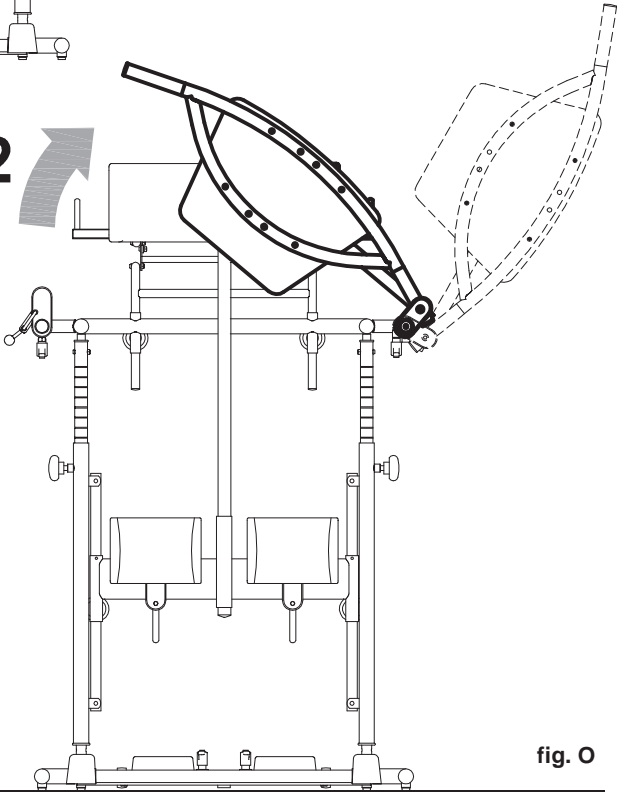


fig. O

How to remove the HANDLE on STANDBY 4

The handle that moves the back support must be removed, using the wrench provided, in the following cases:

1. If it is not used autonomously by the user
2. When accessory 865 must be added (see page 38-39, fig. S)

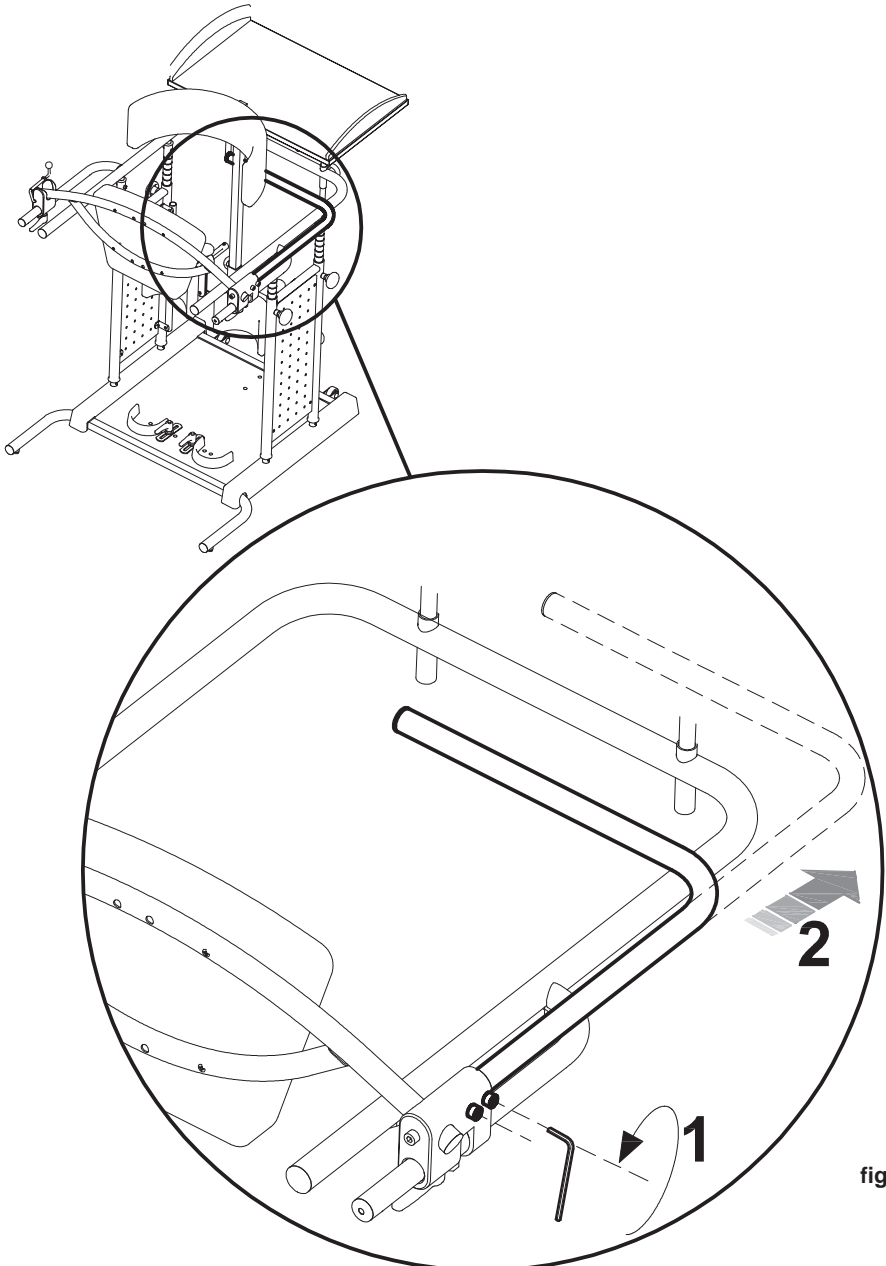


fig. P

**MOUNTING AND ADJUSTMENT OF ACCESSORIES**

**SIDE SUPPORT 857 on STANDY 3**

Accessory 857 consists of a side support for the pelvis when it is deviated with respect to the vertical axis due to a user position determined by, for example, scoliosis, shortening of a lower limb, etc.

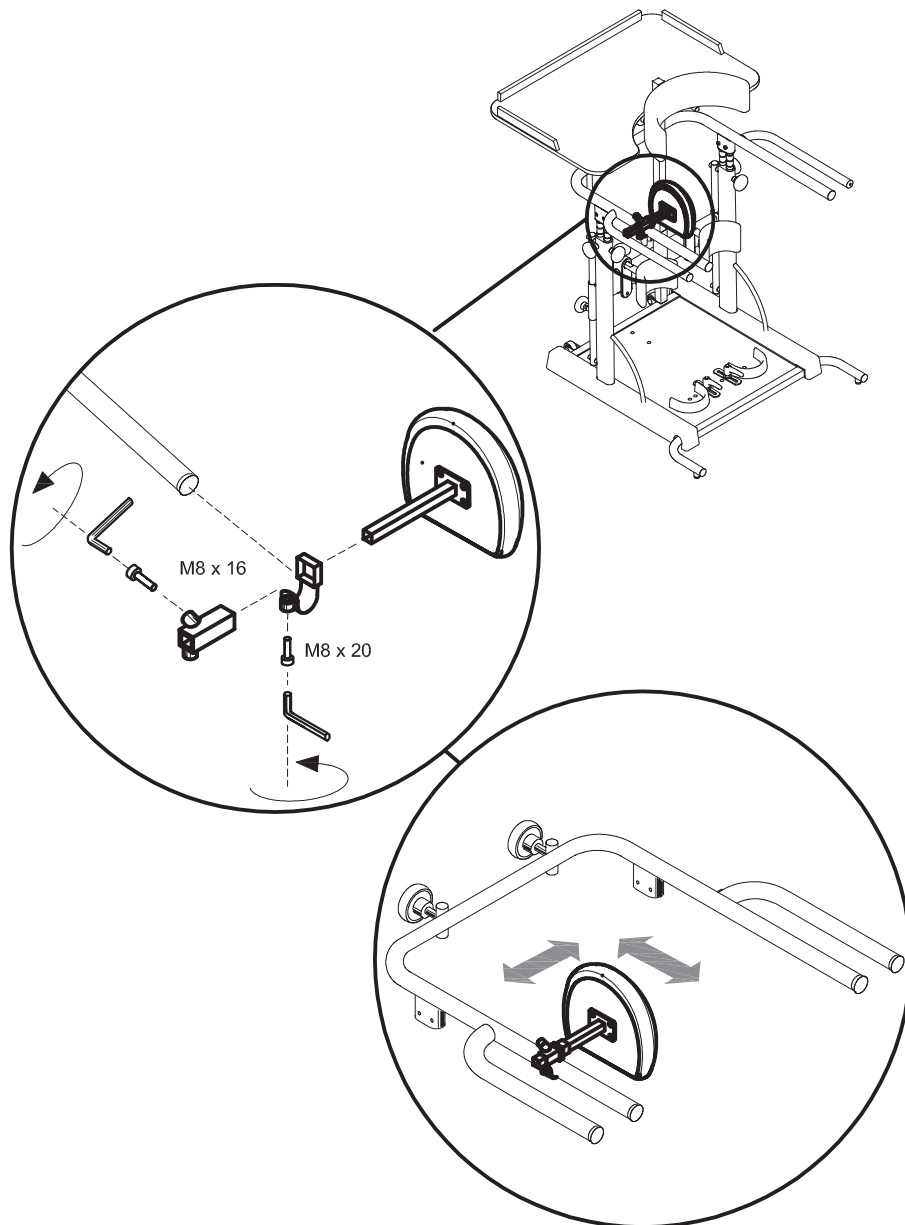


fig. q

**SIDE SUPPORT 857 on STANDY 4**

Accessory 857 consists of a side support for the pelvis when it is deviated with respect to the vertical axis due to a user position determined by, for example, scoliosis, shortening of a lower limb, etc.

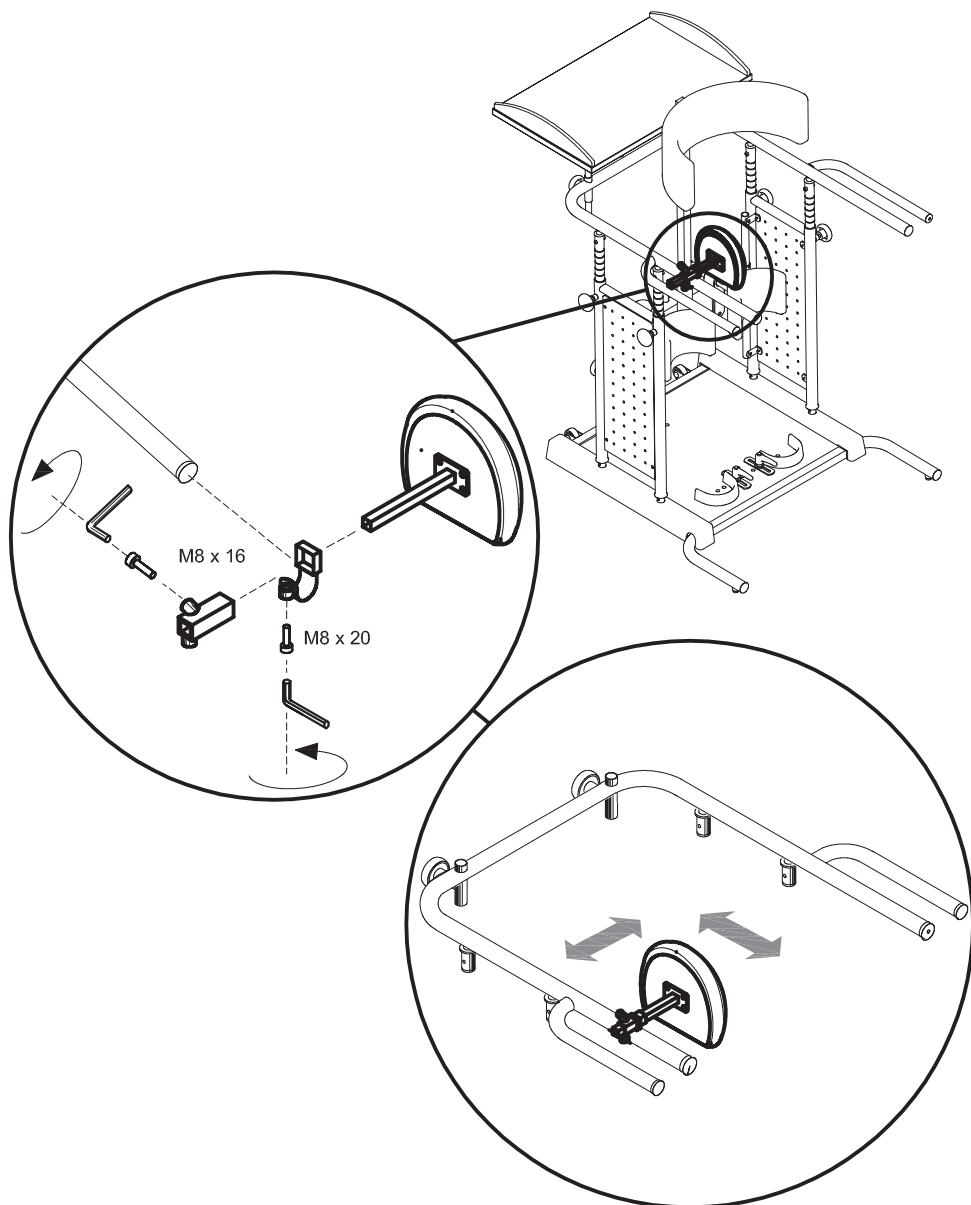


fig. Q

4-WHEEL SET 861 on STANDBY 3

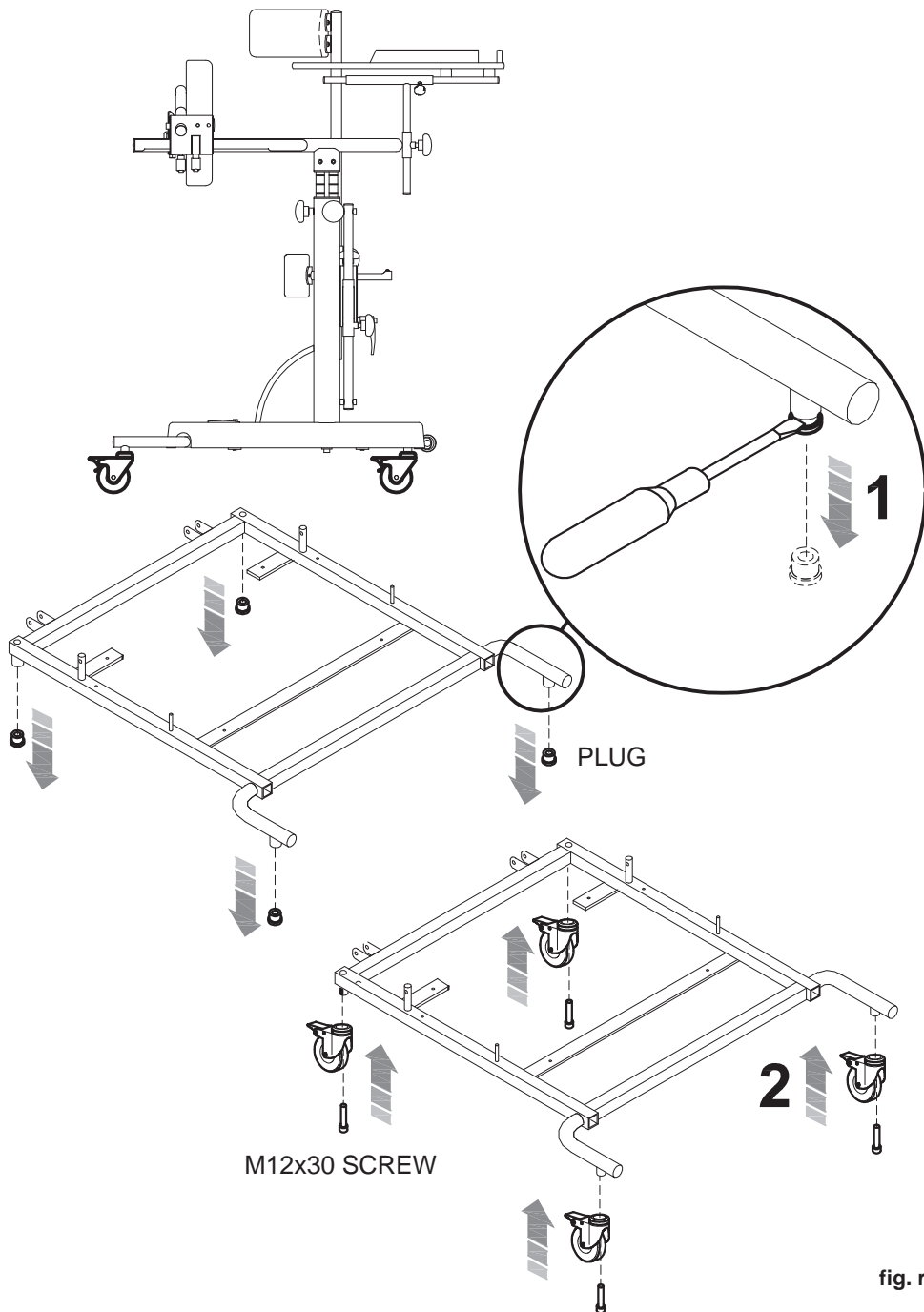


fig. r

4-WHEEL SET 861 on STANDBY 4

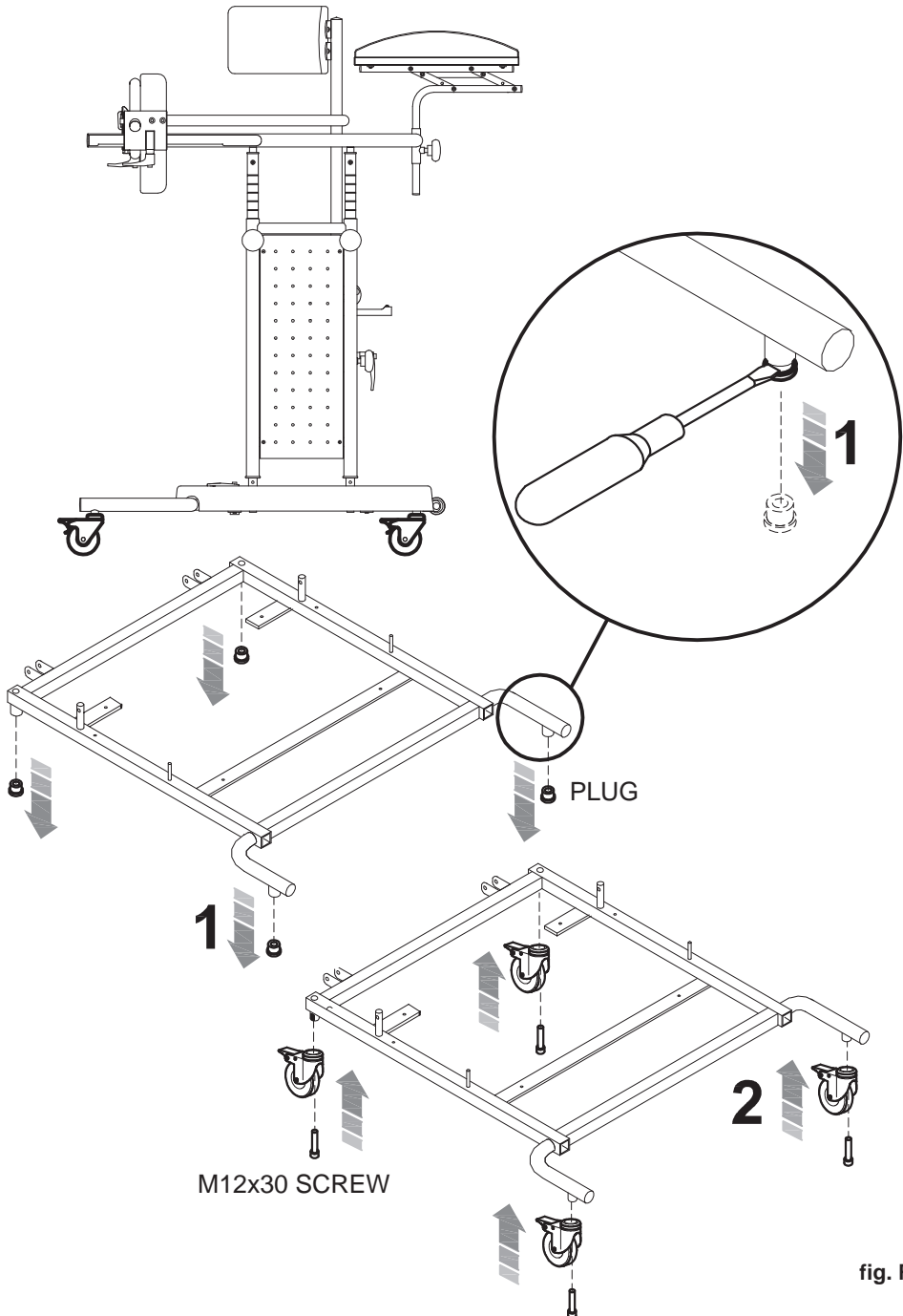


fig. R

HEADREST 865 on STANDBY 3

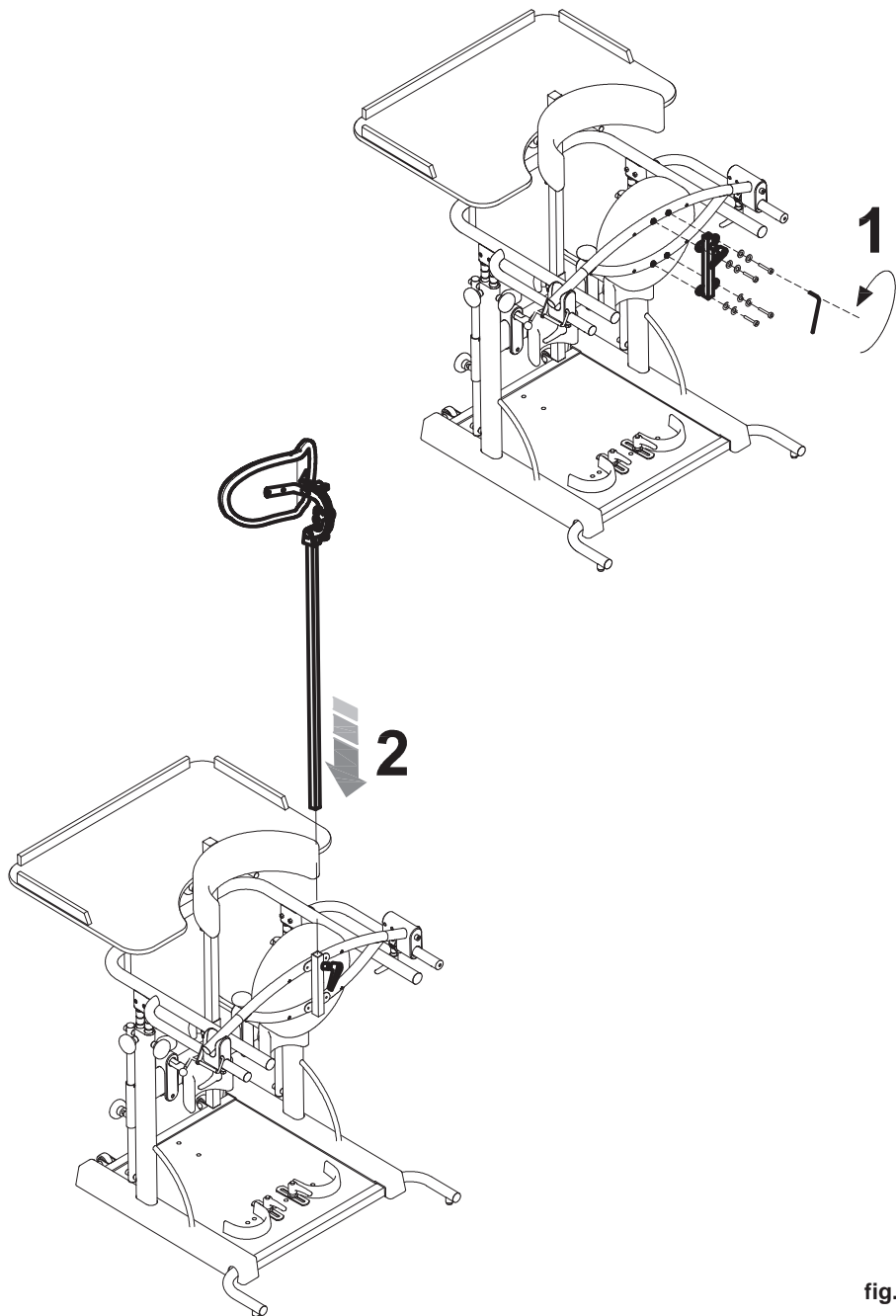


fig. s1



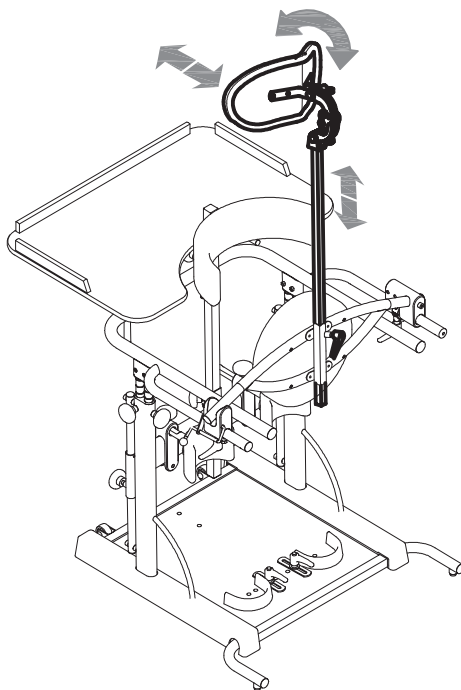
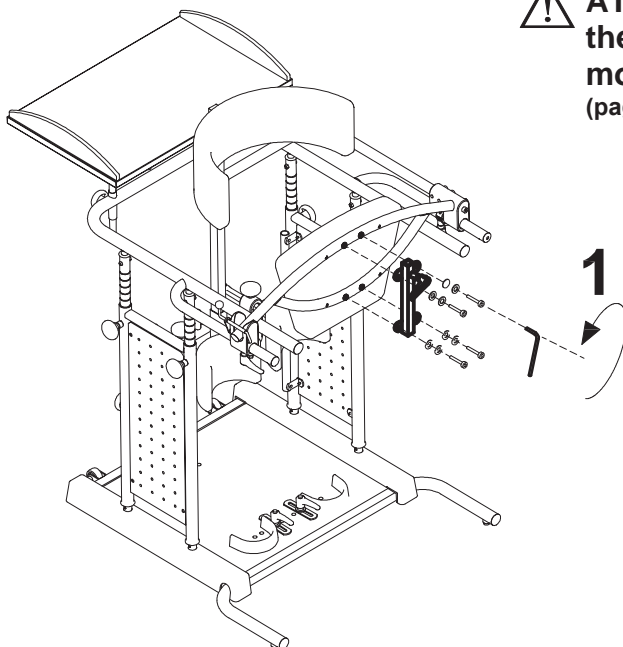


fig. s2

**HEADREST 865 on STANDY 4**



**!** **ATTENTION!** Remove the handle before mounting the headrest (page 32 fig. P)

fig. S1

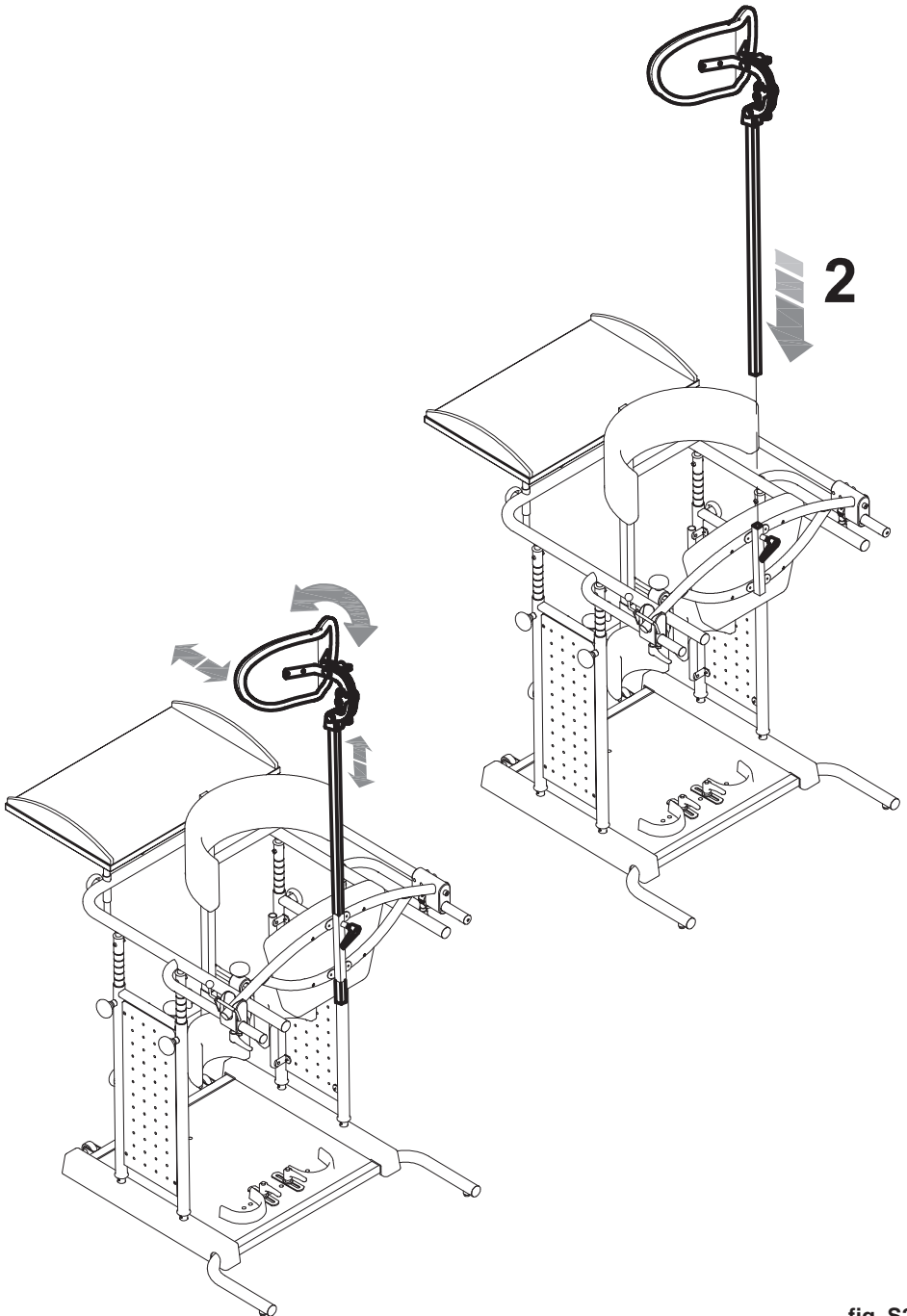


fig. S2

FRONT FOOT RESTRAINTS with BELTS 902 on STAN DY 3

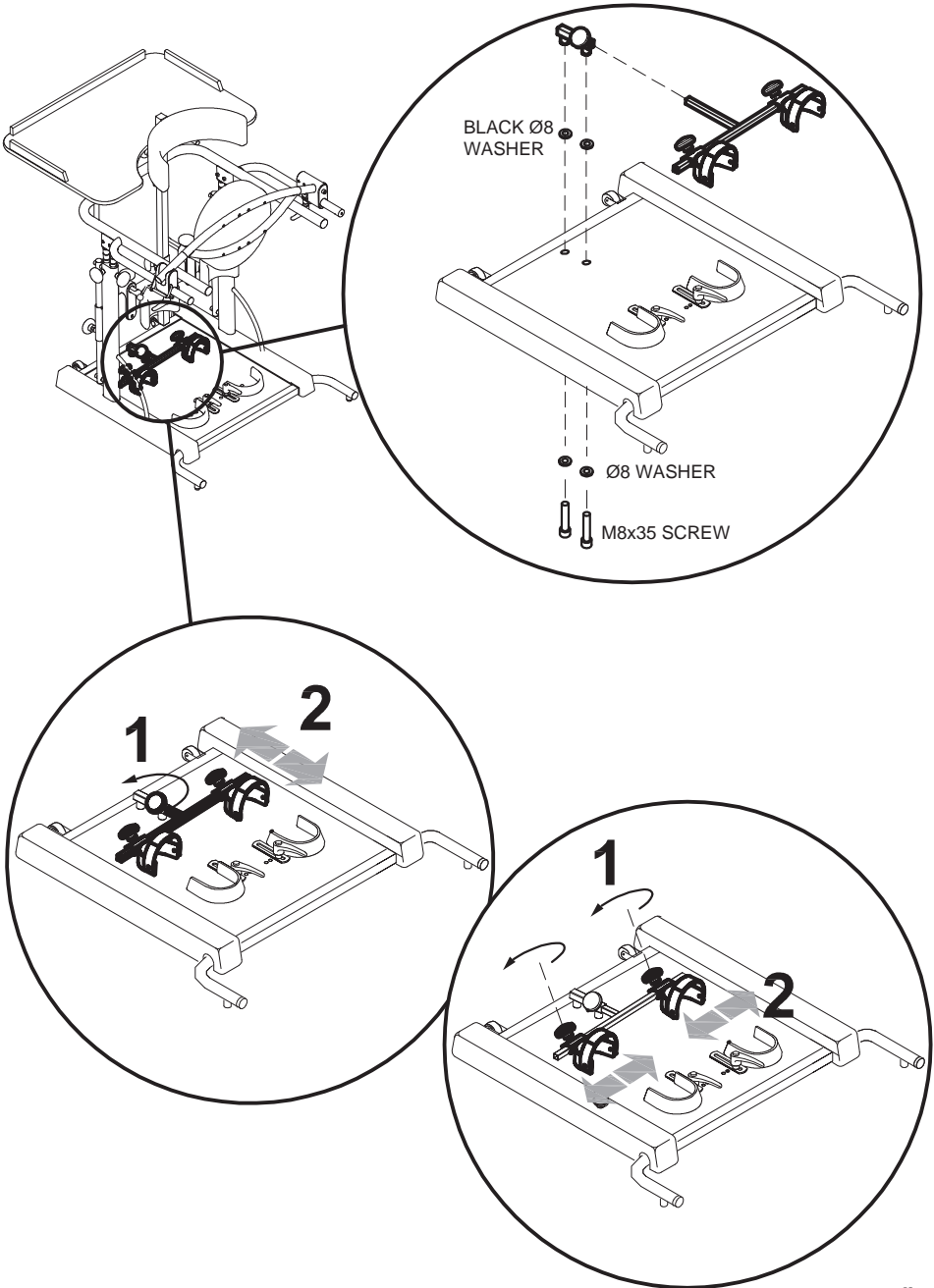


fig. t

FRONT FOOT RESTRAINTS with BELTS 902 on STANBY 4

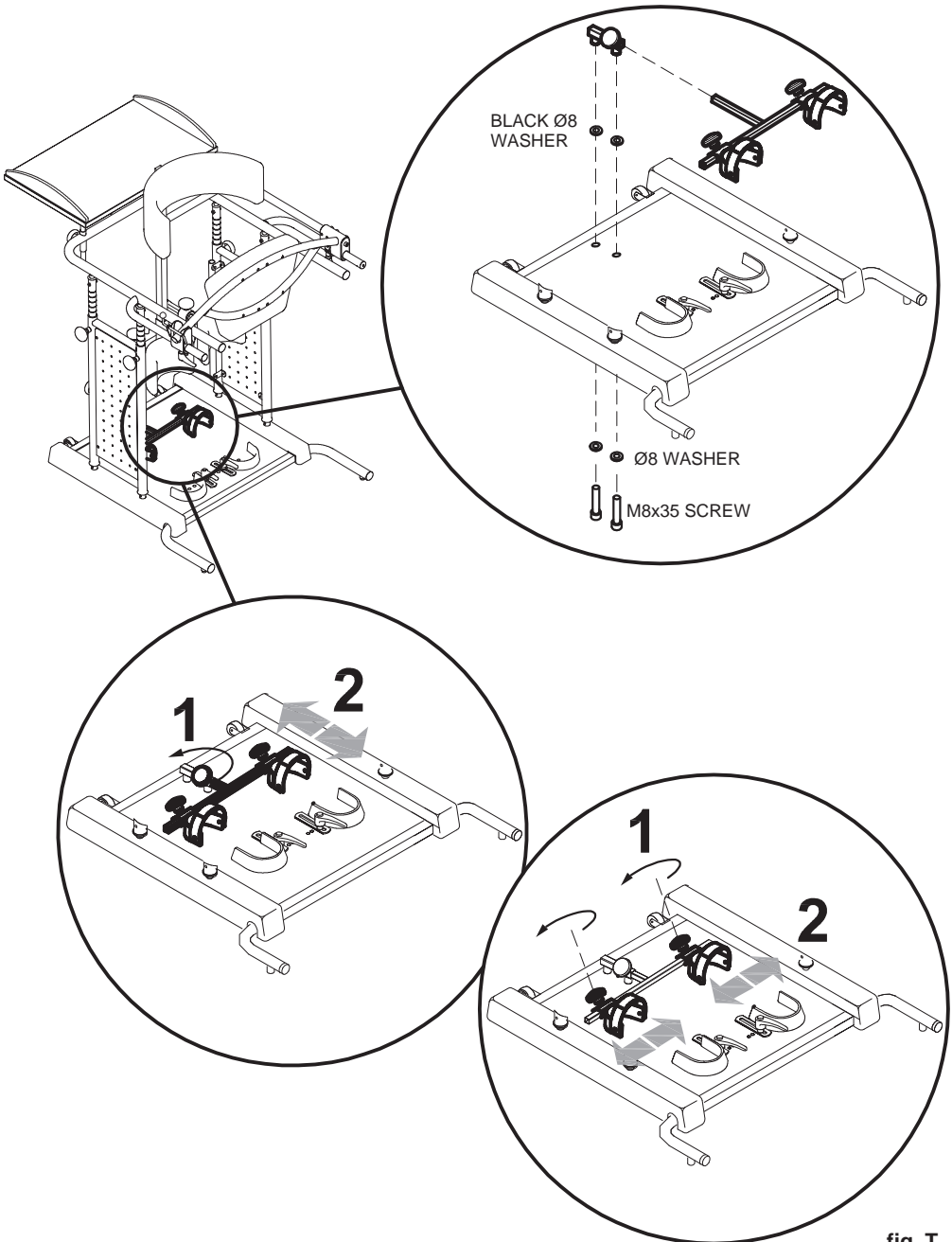


fig. T

---

**MAINTENANCE, CLEANING AND DISINFECTION****REGULAR (OR PREVENTIVE) MAINTENANCE**

ORDINARY MAINTENANCE OF THE AID AND ITS ACCESSORIES MUST BE PERFORMED MONTHLY. REGULAR MAINTENANCE IS REQUIRED TO KEEP THE PRODUCT WORKING PROPERLY AND SAFELY AND IT IS ESSENTIAL FOR KEEPING THE CE MARK.

THE MANUFACTURER IS NOT LIABLE FOR THE PERFORMANCE OF THE PRODUCT UNLESS REGULAR MAINTENANCE IS PERFORMED (ATTACHMENT I, DIRECTIVE 2007/47/EC). THE MANUFACTURER ALSO RECOMMENDS THE CARE GIVER TO CONTACT A SERVICE CENTER SPECIALIZED IN THE MAINTENANCE OF MECHANICAL AIDS FOR DISABLES IN ORDER TO PERFORMS A COMPLETE REVIEW OF THE PRODUCT'S OPERATION AND SAFETY WITH THE FOLLOWING FREQUENCIES:

- 1) at three months from purchase;
- 2) at six months from purchase;
- 3) once a year for subsequent years after that of purchase.

**Clean and disinfect the device and its accessories regularly, following the instructions provided below.**

**CLEANING THE PAINTED AND CHROME-PLATED FRAME**

Clean painted and chromed parts with a soft cloth dipped in alcohol diluted with water. Do not grease the adjustable parts

**CLEANING THE UPHOLSTERY**

Clean the upholstery with a soft cloth dipped in water and a neutral detergent.

**CLEANING THE BASE**

Use a soft cloth dipped in water and a neutral detergent.

**CLEANING THE TRAY**

Use a soft cloth dipped in water and a neutral detergent.

After cleaning, dry thoroughly with a soft cloth.

**LUBRICATION**

The product does not require any particular lubrication.

**CLEANING THE WHEELS (ACCESSORY 861)**

Keep the wheels clean by removing build-ups of dust, hair and anything else that can stick to them.

After cleaning, dry thoroughly with a soft cloth.



If you notice any **INEFFICIENCY**, even partial, of the **BRAKES** (accessory 861), **immediately contact the retailer where you purchased the product, who will determine whether they need to be repaired or replaced** to avoid **dangerous situations** that could cause accidents



Do not perform maintenance or replace parts or accessories when the user is in the device



Intensifie all checks in marine environments, clean more often, anoint the parts exposed to salt corrosion (such as chrome, bolts and screws)

### **EXTRAORDINARY (OR CORRECTIVE) MAINTENANCE**

EXTRAORDINARY MAINTENANCE MEANS ANYTHING DONE TO THE PRODUCT THAT IS NOT MENTIONED ABOVE.

WE RECOMMEND THAT THE USER, RETAILER AND HEALTH FACILITIES ENTRUST ALL EXTRAORDINARY OR CORRECTIVE MAINTENANCE TO THE MANUFACTURER OR OTHER FACTORY-AUTHORIZED SERVICE CENTRE.

ANY OTHER SOLUTION WILL RESULT IN THE USER AND THE THIRD-PARTY MAINTAINER FULLY RESPONSIBLE FOR THE RESULTS OF THEIR WORK AND THE MANUFACTURER WILL ONLY BE LIABLE FOR ORIGINAL DEFECTS OF MATERIALS OR WORKMANSHIP.



If the product is to be disposed of, it must be done according to the law in the country of destination

## **CUSTOMER SERVICE AND SPARE PARTS**

Only contact the retailer where you purchased the product for service and replacement parts.

**CONDITIONS FOR DURABILITY, REUSE AND REASSIGNMENT TO A NEW USER**

Granted that Ormesa products should be selected, evaluated and ordered for the needs of an individual user, reuse is however possible with the respect the following conditions.

Based on the experience of other similar sold models, on technological progress, on the guarantees of the Quality Management System certificated in 1998 according to ISO 9001, there is adequate confidence that **the average lifespan of the STANDY is about 5 years, on condition that it is used according to the directions given in the user manual.**

Only when the conditions for storage and transport of chapter HOW TO STORE AND TRANSPORT THE MEDICAL DEVICE” are followed, the periods in which the product is stored at the dealer should not be considered in that time period

**Factors unrelated to the product such as the development of the user, its diseases, the use and the surrounding environment can make significantly lower the duration of life of the product; on the contrary, if the indications on the use and maintenance are properly observed, the reliability of the product can extend well beyond the lifetime average above.**

**Prior to recycling or reassignment an already used Ormesa product, it is required that:**

- 1. a doctor or therapist verifies that the aid is appropriate and adequate to meet the dimensional, functional and postural needs of the new user, and if all its components are suitable / appropriate for him. You should also consider that the C€ marking and the manufacturer's responsibility for safety requirements for the product remain only if the original product still has not changed and only original accessories or spare parts have been applied**
- 2. qualified technical personnel of a company specialized in the maintenance of technical aids for disabled people performs a detailed technical inspection to verify its condition and wear, the absence of any damage and failure of all components / adjustments, the presence of the user's manual, of the label with the date and serial number. A copy of the manual and maintenance may be always requested to the retailer that supplied the product or directly to Ormesa**
- 3. The product has been thoroughly cleaned and disinfected following the directions given in the “MAINTENANCE, CLEANING AND DISINFECTION” Chapter**

We recommend you keep written records on all inspections performed on the product before any assignment to the new user.



**In case of doubt about the safety of the product or damage to parts or components, you are urged to immediately discontinue use and contact a specialized service center in the maintenance of mechanical aids for disable, or directly ORMESA**



Via A. Da Sangallo, 1 Paciana 06034 FOLIGNO PG ITALY

P.I. IT 00574020541 CCIAA Perugia 119215 Iscr. Trib. Perugia 11907 Tel. +39 0742 22927 (r.a.) Fax +39 0742 22637

[http:// www.ormesa.com](http://www.ormesa.com)

E-mail: [info@ormesa.com](mailto:info@ormesa.com)

---



COMPANY WITH QUALITY  
MANAGEMENT SYSTEM  
CERTIFIED BY  
**= ISO 9001 =**



PRODUCT TESTED  
BY **TÜV** BERLIN

**FDA** REGISTERED - USA

Authorized Dealer

*The technical Data and information given in this handbook are not binding. ORMESA reserves the right to carry out any necessary change without prior notice or replacements*

---