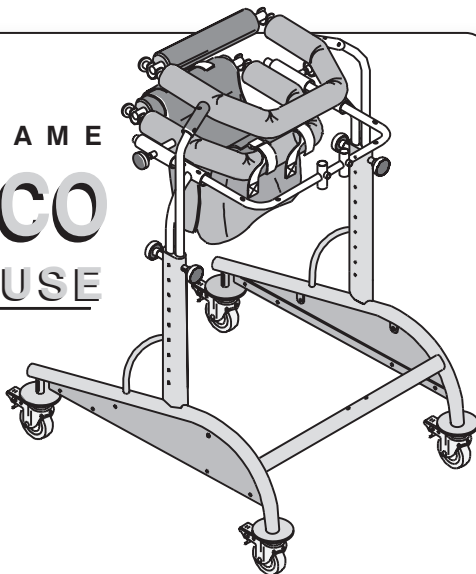


WALKING FRAME

DYNAMICO

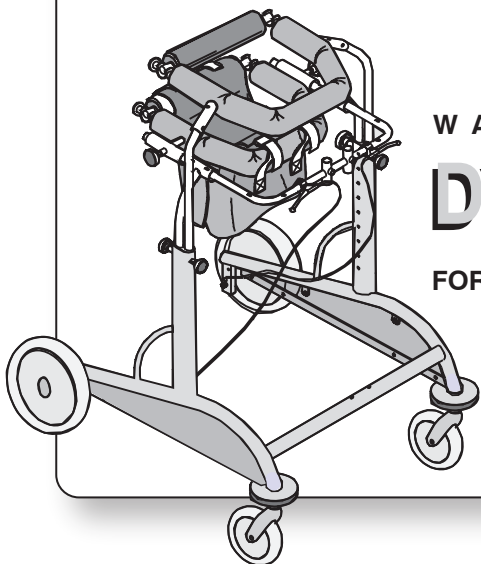
FOR INDOOR USE



WALKING FRAME

DYNAMICO

FOR OUTDOOR USE



USE AND MAINTENANCE HANDBOOK



ORMESA thanks you for the confidence placed in choosing our **DYNAMICO** walking frame.

DYNAMICO is a walking frame where the attention to its functionality unites with the respect of ergonomic and safety principles.

ORMESA then suggests you to read this handbook very carefully to fully understand its contents. It will help you in becoming familiar with **DYNAMICO** soon and more efficaciously, and you will also find many practical pieces of advice to use it safely and in the best possible way and to keep it perfectly efficient.

Following our advice we'll help you in reaching the rehabilitation aim, this aid has been designed for.

Luigi Menichini
Managing Director



WARNINGS	3
GUARANTEE	6
HOW TO STORE AND TRANSPORT THE MEDICAL DEVICE	6
SOME EXAMPLES OF WHAT SHOULDN'T BE DONE WHILE USING DYNAMICO	8
LABELS AND PLATES	8
TECHNICAL SPECIFICATIONS OF THE INDOOR DYNAMICO.....	9
TECHNICAL SPECIFICATIONS OF THE OUTDOOR DYNAMICO.....	10
INITIAL PREPARATION.....	11
HOW TO ASSEMBLE THE INDOOR DYNAMICO.....	12
HOW TO ASSEMBLE THE OUTDOOR DYNAMICO.....	13
WHAT DYNAMICO IS.....	14
WHAT DYNAMICO IS FOR	14
HOW DYNAMICO WORKS AND HOW TO USE IT	15
ASSEMBLING THE ACCESSORIES	18
Assembling the ARM SUPPORTS 809	18
Assembling the WEIGHT BARS 810	18
Assembling the BRAKES FOR FRONT WHEELS 811	19
Assembling the WHEEL DIRECT. LOCKS 812	19
Assembling the ADJUSTABLE HANDLEBAR 813	20
Assembling the LEG DIVIDER 814	20
Assembling the SADDLE 815	21
Assembling the TRANSPARENT TRAY 824	21
SOME THERAPEUTICAL SUGGESTIONS	22
MAINTENANCE, CLEANING AND DISINFECTION	26
CUSTOMER SERVICE AND SPARE PARTS.....	27
CONDITIONS FOR DURABILITY,	
REUSE AND REASSIGNMENT TO A NEW USER	28

**WARNINGS**

- Before using the walking frame, carefully read the instructions in this handbook**, because it was written for your safety and to guide you in the necessary learning process of the right use and Maintenance of this product. It is integrant part of the product and it must be kept with care for future references

- This handbook is for Dealers, Retailers Assistants and Users**; it gives instructions about the correct use of the product and it has to be integrated by an adequate knowledge of the aid by the prescribing technician

- The handbook reflects the kind of technique at the moment of putting the aid on the market. **ORMESA srl reserves the right to carry out any modification to the aid and to its handbook** which can be suggested by the experience, by technical considerations or by the change of standards. These modifications will be made without being obliged to update the previous production and its handbooks

- The use of DYNAMICO (and its accessories) must be controlled by the Doctor** according to the rules and laws in force

- DYNAMICO can be only used by people who have well read the instructions specified in this handbook**

- Training for the use of DYNAMICO must be carried out in rehabilitation centres with the help of qualified personnel**

- DYNAMICO walking frame is available in two models: for INDOOR USE (it is available in 5 sizes) and OUTDOOR USE (it is available in 4 sizes)**. Change the aid as soon as the User grows up.

- The walking frame has to be used by people whose bodily size and weight are just like the ones specified** in the paragraph "TECHNICAL SPECIFICATIONS" at page 9 and 10

- Check that all adjustable parts are well locked before each use of DYNAMICO**

- Always lock brakes when you stop**, even on flat ground

- Always lock brakes before adjusting any part**

- Before use always check brake efficiency, the tyre wear and make sure that the accessories and all those parts which can be loosened are firmly locked
- Always make sure that **there are no obstacles which could cause DYNAMICO to tip up**, such as mats, steps and different objects on the floor
- Remove any knick-knacks or objects which could be knocked down while using DYNAMICO
- Beware of dangerous points! Your child can move fast
- Clean DYNAMICO according to the instructions in the chapter "Maintenance", at page 26-27
- BEWARE!** The used fabrics are not FIRE-RETARDANT. Keep the walking frame away from sources of ignition (fire-places, cigarettes, etc.)

DYNAMICO IS A MECHANICAL MEDICAL DEVICE:



Perform REGULAR MAINTENANCE and CLEANING following the instructions shown in the "Maintenance" chapter on page 26-27 and **HAVE THE DEVICE INSPECTED AT THE INTERVALS INDICATED** to **VERIFY** that it is **WORKING PROPERLY** and in **GOOD CONDITION**, **otherwise warranty will fail and CE marking will lapse**



PRODUCT REPAIRS other than the regular maintenance shown on page 26-27 of the manual must be **ONLY MADE** by a **SPECIALIZED SERVICE CENTER** in the maintenance of mechanical aids for disables, **otherwise warranty and CE marking will be voided**



Any **CHANGES** in the product and the **REPLACEMENT WITHOUT ORIGINAL PARTS OR COMPONENTS ARE NOT AUTHORIZED**. **REFER ONLY TO ORMESA, otherwise warranty and CE marking will be voided**



In case of DOUBT about the SAFETY of the product or **DAMAGE** to parts or components, you are urged **to IMMEDIATELY DISCONTINUE USE** and **CONTACT** a **SPECIALIZED SERVICE CENTER** in the maintenance of mechanical aids for disables, or directly **ORMESA**



GUARANTEE

ORMESA warrants the product for 2 years; in case of problems, contact the retailer where you purchased it. Always ask for original parts and accessories.

ORMESA will not be liable for damage in the following cases:

- use by an unsuitable person;
- incorrect assembly of parts or accessories;
- unauthorized modifications or service;
- use of other than original replacement parts and parts subject to wear (upholstery, wheels, etc);
- improper use (such as, transporting objects or loads larger or heavier than those shown in the instruction manual);
- damage caused by incorrect use and lack of regular maintenance, as shown in the instruction manual;
- exceptional events;
- failure to follow the instructions in this manual.

THE GUARANTEE DOES NOT COVER WEAR PARTS, which are subject to wear and tear, such as the upholsteries and the wheels.




HOW TO STORE AND TRANSPORT THE MEDICAL DEVICE

THE DEVICE MUST BE STORED AND PACKED using the Ormesa original packaging materials. **THE AID MUST BE ALWAYS ACCOMPANIED BY THE PRESENT HANDBOOK** unless the guarantee will be voided

Once unpacked, **THE TRANSPORT OF THE DEVICE** must be done by **ANCHORING IT ADEQUATELY** to the vehicle

When travelling by plane, or by car, **DO NOT SUBJECT THE FOLDED FRAME TO LOADS THAT**, especially with road bumps, **COULD DAMAGE ITS STRUCTURE**

THE DEVICE MUST BE PARKED / STORED IN CLOSED AND DRY PLACES

THE OPERATING ENVIRONMENT HAS NO PARTICULAR INFLUENCE ON THE DEVICE UNLESS IT IS USED INCORRECTLY, such as by leaving it parked for a long time in direct sunlight or exposed to bad weather such as rain, or in **MARINE ENVIRONMENTS**, where the salt air could corrode the paint and the sliding parts. **IN THIS CASE, WE RECOMMEND TO CLEAN AND DRY THE FRAME CAREFULLY FOLLOWING THE INSTRUCTIONS SHOWN IN THE “MAINTENANCE AND CLEANING” CHAPTER ON PAGES 26, 27 AND THE WARNINGS  ON PAGE 27**

**DYNAMICO walker
for INDOOR and OUTDOOR USE**

which this declaration refers to, conforms with the general requirements provided in the Directive **93/42/EEC** and subsequent amendments and additions, concerning the medical devices, according to which this aid belongs to the **I risk class** and has been **designed in observance to the following standards:**

CEI EN ISO 14971:2012	Medical Devices - Application of risk management to medical
EN 12182:2012	technical aids for disabled persons - general requirements and test methods
EN 980:2009	Graphical symbols for use in the labelling of medical devices
EN 1041:2009	Information supplied by the manufacture with medical devices
ISO 9999:2011	Technical aids for persons with disabilities - Classification and terminology
EN 1985 :2001	Walking aids. General requirements and test methods
EN ISO ISO 11199-3:2005	Walking aids manipulated by both arms - Requirements and test methods – Part 3: Walking tables

Foligno
June 21st, 2018

The Legal Representative
Luigi Menichini





SOME EXAMPLES OF WHAT SHOULDN'T BE DONE WHILE USING DYNAMICO

DYNAMICO MUSTN'T BE USED UNLESS A MEMBER OF THE FAMILY OR QUALIFIED PERSON IS PRESENT AT ALL TIME

DO NOT CARRY OUT ANY OPERATION OR MANOEUVRE UNLESS YOU ARE SURE OF THE RESULT: IF IN DOUBT, CONTACT YOUR NEAREST TECHNICAL SERVICE OR CONTACT THE MANUFACTURER DIRECTLY

NEVER USE DYNAMICO ON UNEVEN GROUND, STEEP SLOPES OR STAIRS

NEVER ALLOW UNKNOWN PEOPLE TO USE DYNAMICO, NOT EVEN TO PLAY WITH IT

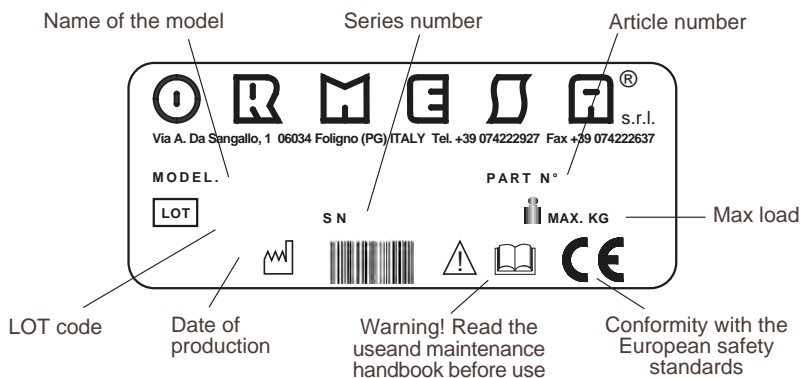
NEVER LEAVE THE USER ALONE WITH DYNAMICO

NEVER LEAVE THE PRODUCT PARKED ON A SLOPING SURFACE

NEVER LEAVE THE PRODUCT PARKED FOR A LONG TIME IN DIRECT SUNLIGHT OR NEAR SOURCES OF HEAT: THIS WILL AVOID OVERHEATING THE DEVICE AND DISCOLOURING THE UPHOLSTERY

DO NOT USE THE PRODUCT IF PARTS ARE MISSING OR DAMAGED. INSIST THAT ONLY ORIGINAL REPLACEMENT PARTS ARE USED BECAUSE ANY OTHER TYPE WILL VOID THE WARRANTY AND CE MARKING

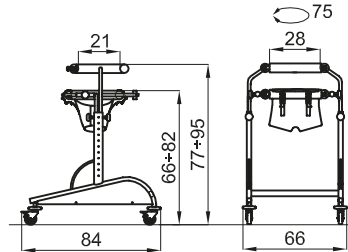
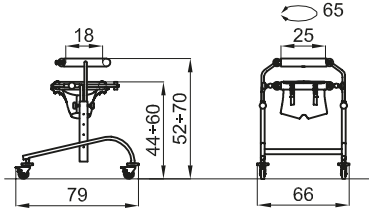
LABELS AND PLATES



TECHNICAL SPECIFICATIONS OF THE INDOOR DYNAMICO

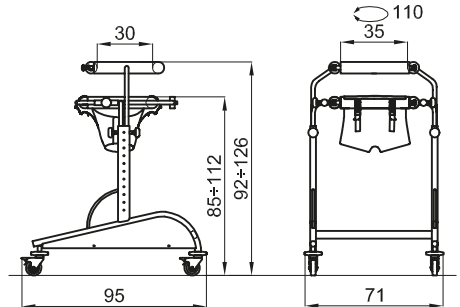
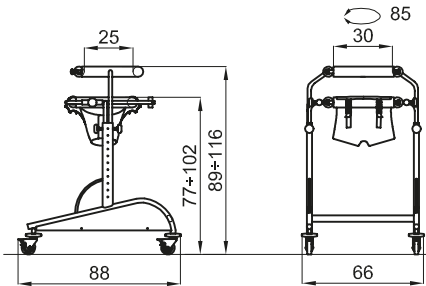
Non-toxic epoxy varnished chromium-plated **frame** in steel;

- Padded **pelvic support**, adjustable in height as well as backwards and forwards;
- Padded **chest support**, adjustable in height and removable;
- Double thickness fabric **harness**, adjustable in height. it has straps and buckles to adjust the height and velcro strip to adjust the circumference;
- 8 cm castor **wheels**, each one has a double brake;
- Semi-elastic **PVC buffers** to protect from impacts;
- It is available in **5 SIZES**.



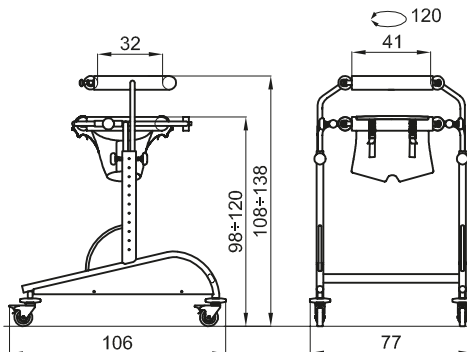
DYNAMICO 1 WEIGHT OF THE AID **Kg.12** MAX. LOAD **kg 55**

DYNAMICO 2 WEIGHT OF THE AID **Kg.14,6** MAX. LOAD **kg 70**



DYNAMICO 3 WEIGHT OF THE AID **Kg.15,6** MAX. LOAD **kg 85**

DYNAMICO 4 WEIGHT OF THE AID **Kg.17** MAX. LOAD **kg 100**



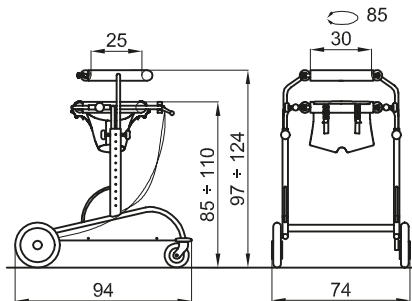
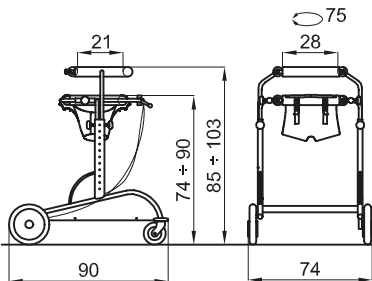
DYNAMICO 5 WEIGHT OF THE AID **Kg.19,7** MAX. LOAD **kg 115**

Measures in cm
HYPEN-SEPARATED NUMBERS INDICATE THE MINIMUM AND MAXIMUM RANGE OF ADJUSTMENT

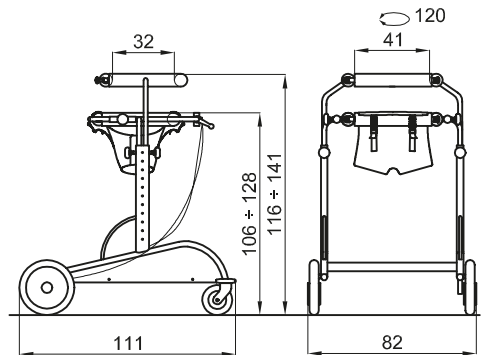
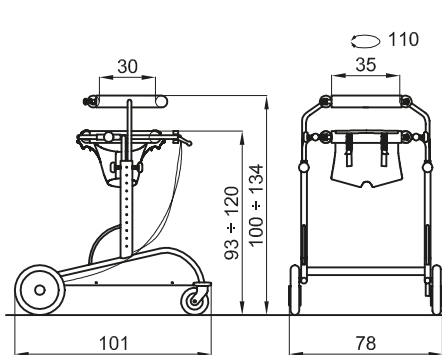
TECHNICAL SPECIFICATIONS OF THE OUTDOOR DYNAMICO

- Non-toxic epoxy varnished chromium-plated **frame** in steel;
- Padded **pelvic support**, adjustable in height as well as backwards and forwards;
- Padded **chest support**, adjustable in height and removable;
- Double thickness fabric **harness**, adjustable in height. it has straps and buckles to adjust the height and velcro strip to adjust the circumference;
- Unpierceable **wheels**, pivoting front wheels, cm. 17, and back fixed wheels, cm. 3
- Semi-elastic **PVC buffers** to protect from impacts;
- Hand **brakes**;
- It is available in **4 SIZES**.

Measures in cm
HYPEN-SEPARATED NUMBERS INDICATE THE MINIMUM AND MAXIMUM RANGE OF ADJUSTMENT

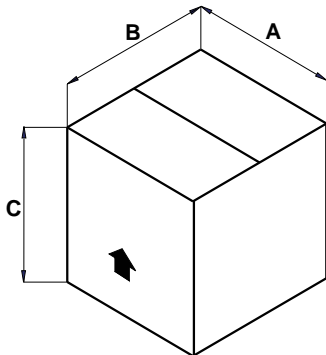


DYNAMICO 2 WEIGHT OF THE AID Kg.17,9 MAX. LOAD kg 70	DYNAMICO 3 WEIGHT OF THE AID Kg.19,3 MAX. LOAD kg 85
---	---



DYNAMICO 4 WEIGHT OF THE AID Kg.20,4 MAX. LOAD kg 100	DYNAMICO 5 WEIGHT OF THE AID Kg.22,7 MAX. LOAD kg 115
--	--

INITIAL PREPARATION



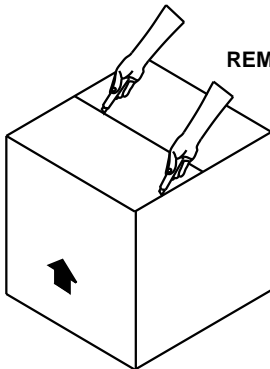
INFORMATION ABOUT THE PACKING OF THE INDOOR DYNAMICO

WALKING FRAME	A cm	B cm	C cm	VOLUME m ³	WEIGHT Kg
DYNAMICO 1	95	65	48	0,296	15
DYNAMICO 2	80	80	84	0,537	18
DYNAMICO 3	80	85	93	0,632	19
DYNAMICO 4	80	85	93	0,632	21
DYNAMICO 5	103	78	108	0,868	24

INFORMATION ABOUT THE PACKING OF THE OUTDOOR DYNAMICO

WALKING FRAME	A cm	B cm	C cm	VOLUME m ³	WEIGHT Kg
DYNAMICO 2	80	80	84	0,537	21
DYNAMICO 3	80	85	93	0,632	22
DYNAMICO 4	80	85	93	0,632	24
DYNAMICO 5	103	78	108	0,868	28

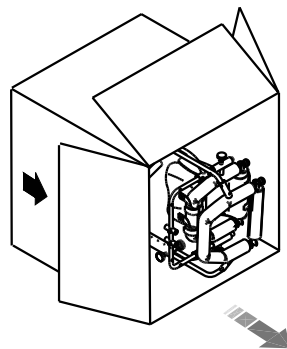
REMOVING DYNAMICO FROM THE PACKAGING



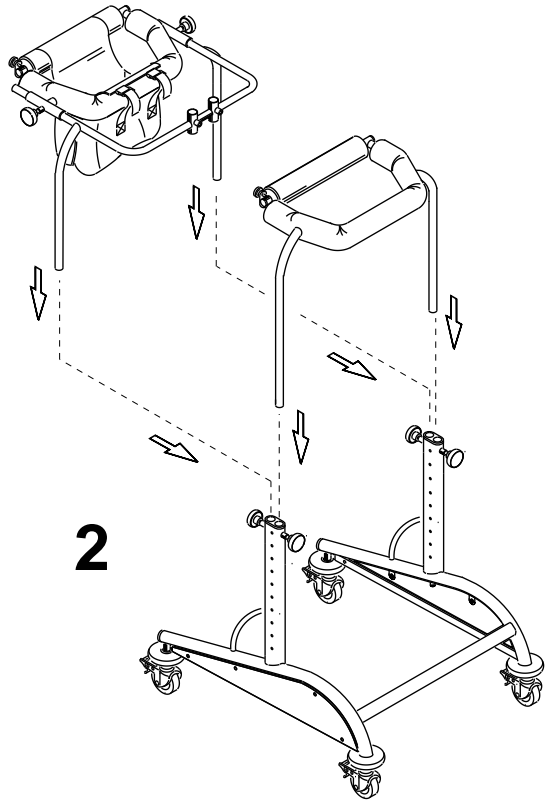
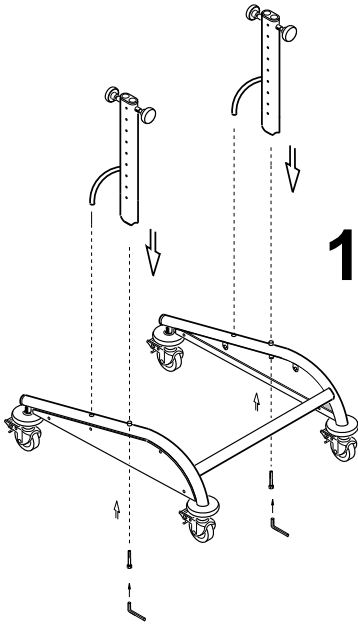
BEWARE!

PLEASE TAKE CARE NOT TO APPLY TOO MUCH PRESSURE IF CUTTING THE BOX OPEN. YOU MAY DAMAGE THE WALKING AID

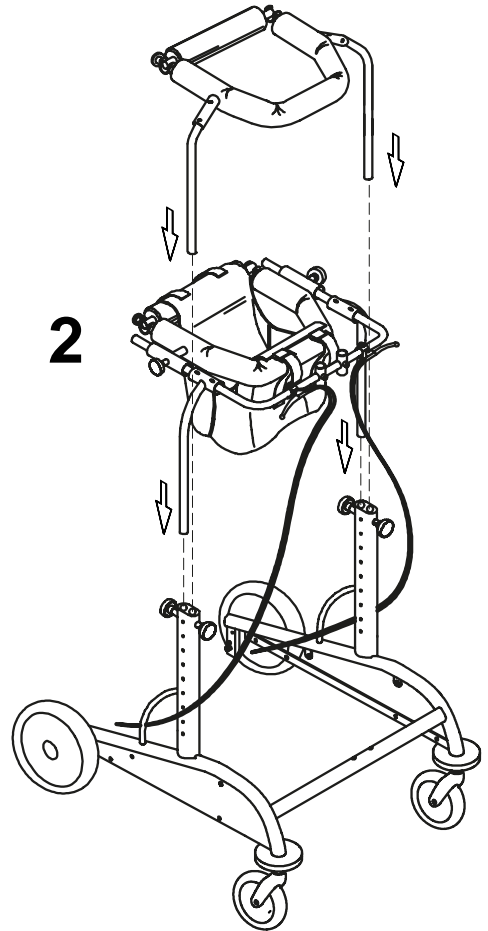
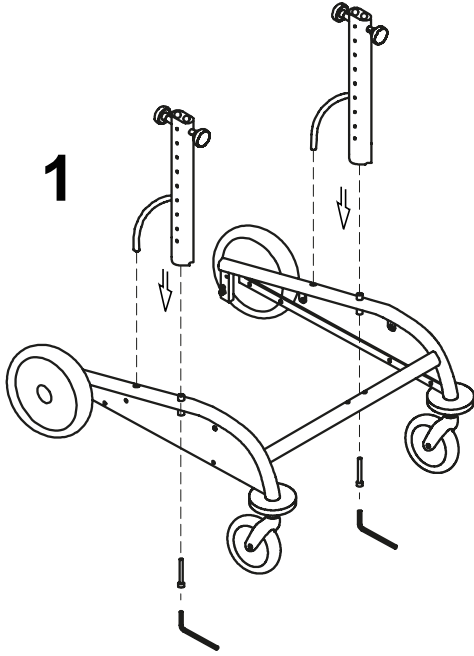
TURN THE CARTON UPSIDE-DOWN WITH CARE AND TAKE DYNAMICO OUT WITHOUT GRAZING IT



HOW TO ASSEMBLE THE INDOOR DYNAMICO



HOW TO ASSEMBLE THE OUTDOOR DYNAMICO



WHAT DYNAMICO IS

DYNAMICO is a walking aid, that is a device designed to help his User move around on his own.

It consists of:

- A. **rigid frame**
- B. **castor wheels**
to help movement in different directions.
- C. **pelvic support**
- D. **chest support**
the C-D supports may be used together or separately according to the User's physical conditions.
- Y. **Fabric harness with straps and buckles**
to adjust the height and with a velcro strip to adjust the circumference.

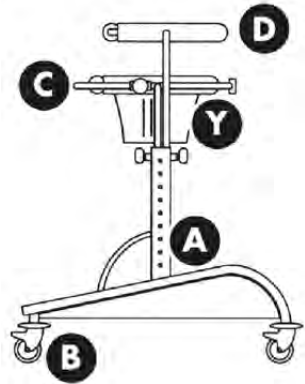


Fig. 1

WHAT DYNAMICO IS FOR

DYNAMICO was designed and made to:

enable the User to walk without help when independent walking is impossible;
train and start the walking process so that it may be continued without the aid at a larger stage, it can be used to practice the actions of walking or simply as a permanent mean of moving around.

We remind that the process of walking is simply the movement of a body in an upright position from one point in space to another and is possible by:

- the step pattern (alternate bending and stretching of each leg);
- maintaining the balance of the trunk and pelvis, first on both feet and then on one only during the moving;
- awareness of space and distance.

Therefore, **DYNAMICO** is used :

- b) to generate and help the step pattern (Pict. 2);
- b) to train in maintaining balance of the trunk and pelvis (Pict. 3) Pict.3



Fig.2



Fig 3

c) to organize a wider structured vision of space, distance and the User's surroundings in the upright position;

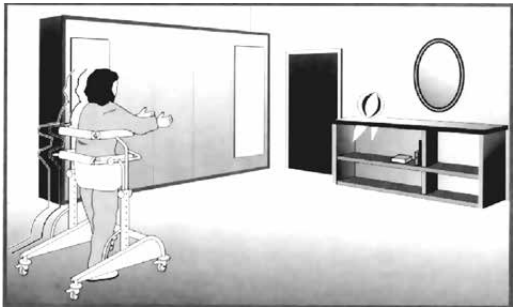


Fig. 4

d) to enable "projects" and "actions" to be planned, for example having the possibility to see an object, think of its use, work the movement out to reach the object and use it (Pict. 4 - 5);

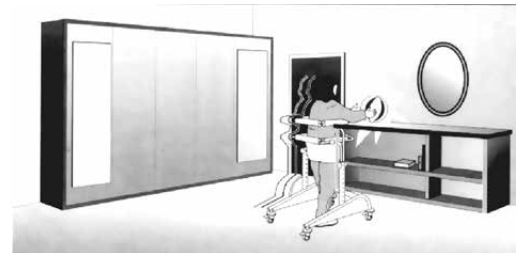


Fig. 5

e) to develop physical self-sufficiency and psychological independence by experimenting the possibility of acting alone without the help of other people.

HOW DYNAMICO WORKS AND HOW TO USE IT

DYNAMICO is simple and safe to use. Its base rests on a wide surface to compensate for lack of balance so that the User can use the little strength he has to move the wheels.

Although **DYNAMICO** is both simple and safe to use, adequate training to use it must be given at a rehabilitation centre.

The following information will ensure the best way to use this aid.

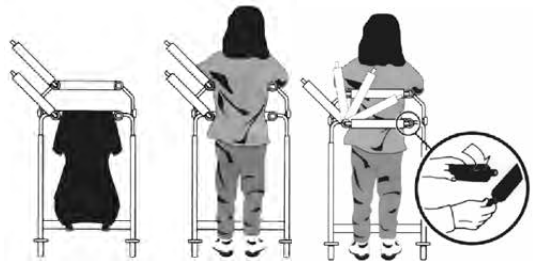


Fig. 6

Adjustment of the aid

As soon as the User is put into the aid (Pict. 6), the back part must be closed and locked and the following height must be adjusted :

- chest support (Pict. 7);
- pelvic support (Pict. 8);
- harness (Pict. 9);



Fig. 7

There is no predetermined position!

Each position must be decided according to the User and it must be modified according to his physical development, to the change in his motory situation and rehabilitation programme.

Generally speaking, **however, the distance of the supports from the ground must allow the User to just touch the floor** (so that only part of the child's weight is on his feet), with a slight semi-bending of the pelvis and knees.

Then this distance will be progressively reduced so that the child's weight will be gradually put back on to his feet, a little at a time, until he is standing more firmly on his feet with his lower limbs straighter.



Fig. 8



Fig. 9

The next step is to adjust the correct line-up of the two supports (Pict. 9). This is an important and delicate operation because the correct positioning of the trunk on the pelvis depends on it.

Use the knobs **K** to position the pelvic support and move the support backwards or forwards.

The ideal position to look for is the one which lines shoulders, trunk and hips up.

By pushing the pelvic support further back as regards the chest support and by putting the hands on the handlebar, the centre of gravity is moved forwards, thus stimulating walking. This position must not be forced, otherwise it might have the opposite effect (Pict. 10).

The pelvic support should be adjusted around the higher part of the pelvis.

The support of the pelvis and the weight on his feet can be increased or decreased by adjusting the straps and velcro strip on the harness.

The height of the chest support is usually adjusted according to the child's ability to control his trunk (if the child has a good control of the trunk, the chest support must be kept low); even in such a case, it is a good idea to proceed step by step, starting with the support under the armpits and then gradually lowering it.

If the User has a sufficient trunk control, the chest support may be removed (Pict.3).

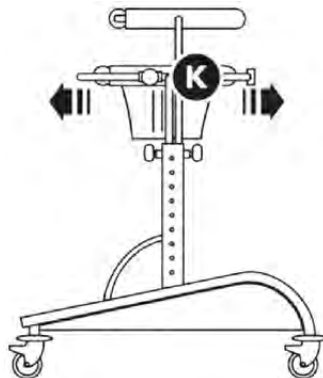


Fig. 10

The handlebar **E** (accessory, Pict. 11) must be adjusted depending on how much the User has to bend or straighten his arms in order to push and guide **DYNAMICO**.

Use the knobs **M** for vertical adjustment. Make sure that the knobs **M** are well tightened.

Use the lever lock **N** for horizontal adjustment. Make sure that the lever lock **N** is well tightened.

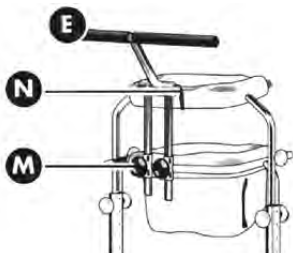


Fig. 11

If the User is inclined to cross his feet and legs over (adductive or scissor pattern), the **leg divider 814** must be used to avoid this pathological position (accessory Pict. 12).

When these operations are completed, DYNAMICO can be used.

First of all it is important to know the aid and how to use it.

Children are not usually afraid to use the aid. On the contrary they are often extremely pleased and happy and they want to move in all directions.

These "rash" children must not be prevented from doing so. In fact they should be encouraged. In the first days it is a good idea to let the child use **DYNAMICO** freely so that he can try the different ways of using it.

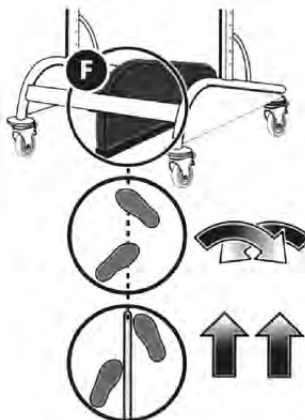


Fig. 12

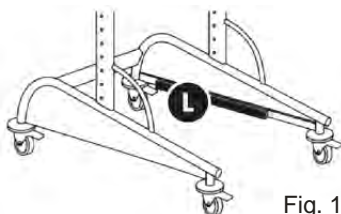


Fig. 13

If the User moves too fast, it is better to use the weight bar **L** (accessory Pict. 13).

If necessary, use the adjustable brakes **H** (accessory Pict. 14). Use the knob to adjust the brakes and make sure that the braking effect is the same on both wheels.

At first it is always best to use the wheel direction locks **G** (accessory Pict. 15) in order to avoid skidding and bumps.

In order to fix the locking mechanism, position the rear wheels as shown in the picture and turn the stop lever **V** so that it can be fixed into the special slot placed above it.



Fig. 14



Fig. 15

For "fearful" children who are afraid to use **DYNAMICO** (probably due to problems of perception which make awareness of space and distance difficult) it is best to start its use in a different way. In his first steps the User mustn't be left alone, but he must be accompanied by qualified personnel either therapist or parent who will stand either in front or to one side and will move **DYNAMICO** slowly and gently (Pict. 16).

This gives the User a feeling of safeness particularly if the therapist or parent speaks to him at the same time and explains what they are doing (for instance, "now we are going towards the table, we are reaching the TV, we are going to get the ball on the table, we are going back ...")

The first steps are always made forwards, then backwards and finally sideways.

At first walking will be at a regular step, then a change in step will be asked for so that steps will be quicker or slower.

We suggest to follow well defined path specifically designed to help orientate both "rash" and "fearful" Users.



Fig. 16

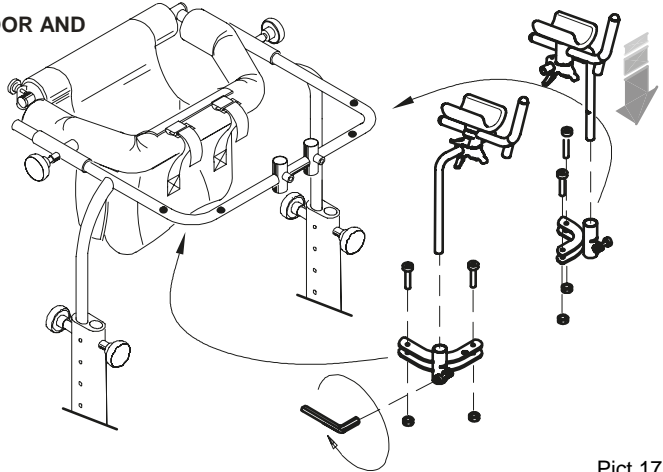
For those children who cannot easily walk, it is better to move the pelvic support at the back in order to get the flexion of the trunk. In this way it will be easier to move the lower limbs.

ASSEMBLING THE ACCESSORIES

Assembling the ARM SUPPORTS

809

They are available for **INDOOR AND OUTDOOR DYNAMICO**



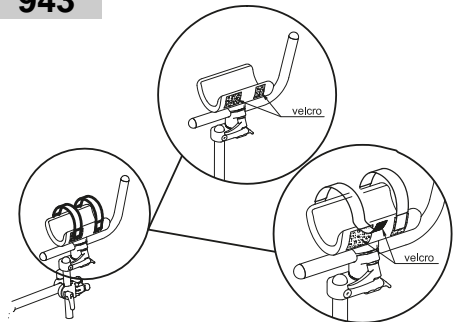
Pict. 17

Assembling the ARM STRAPS

943

They are available for **INDOOR AND OUTDOOR DYNAMICO**

This accessory can be assembling only on the arm supports



Assembling the WEIGHT BARS

810

They are available for **INDOOR AND OUTDOOR DYNAMICO**

Fix the weight bars **L** by using our screws and following the scheme shown in the picture.

Fix the screws by using our hexagonal key.

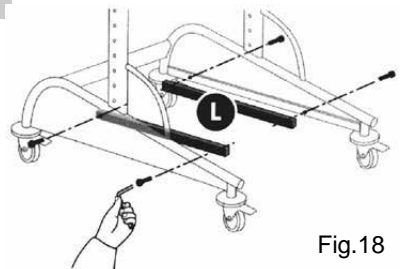
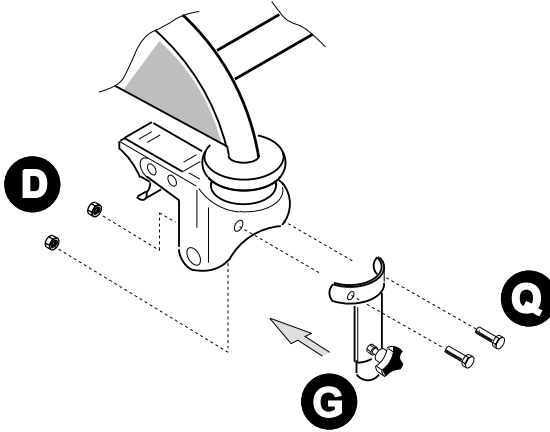


Fig.18

Assembling the BRAKES FOR FRONT WHEELS 811

They are available for **INDOOR DYNAMICO**

Assemble the part **G** by using our screws **Q** and the autolocking nuts **D** thanks to our keys.



Assembling the WHEEL DIRECT. LOCKS 812

They are available for **INDOOR DYNAMICO**.

Disassemble the back wheels by unscrewing the threaded pins **Y** with our key.

Disassemble the wheel support by operating on the **V** screw.

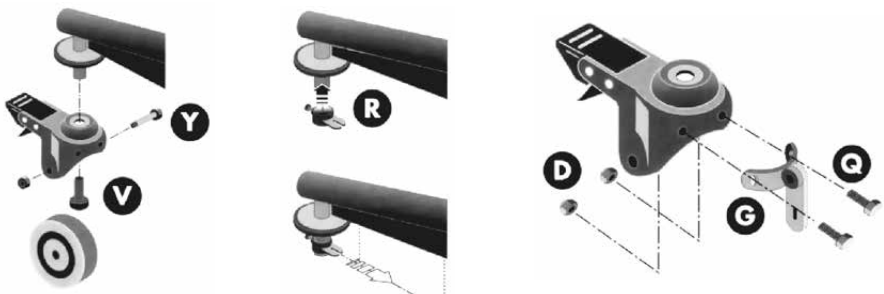
Fix the **R** ring in the pin and direct it in such a way that the hole is well aligned forward.

Fix the screw in order to lock the **R** ring firmly.

Assemble the **G** device by using our screws **Q** and their autolocking nuts **D**.

Now assemble the wheel support on the aid by using the **V** screw which you have to fix firmly.

Assemble the wheel by inserting threaded pin **Y** which will be locked by its nut.



Assembling the ADJUSTABLE HANDLEBAR 813

It is available for **INDOOR and OUTDOOR DYNAMICO**

Fix the lower bars of the handlebar **E** in the aid and, after fixing the height approximately, lock the knobs **(M)** and be sure that the lever lock **(N)**, for horizontal adjustment, is well fixed.

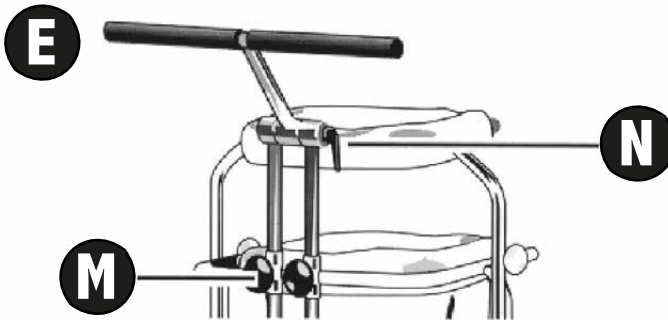


Fig. 21

Assembling the LEG DIVIDER 814

It is available for **INDOOR DYNAMICO**

Assemble the accessory **F** as it is shown in the Picture. Fix two screws on the upper part and two screws on the lower part.

Screw tight by using our hexagonal key

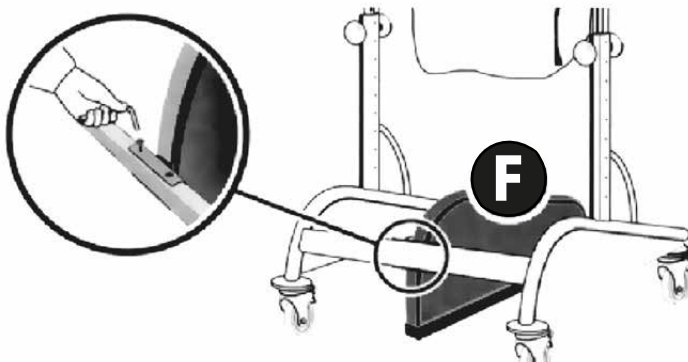
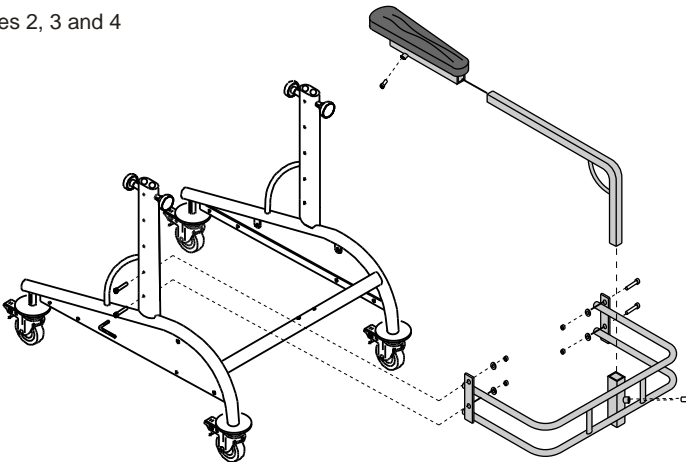


Fig. 22

Assembling the SADDLE

815

It is available for **INDOOR DYNAMICO**
Only for sizes 2, 3 and 4

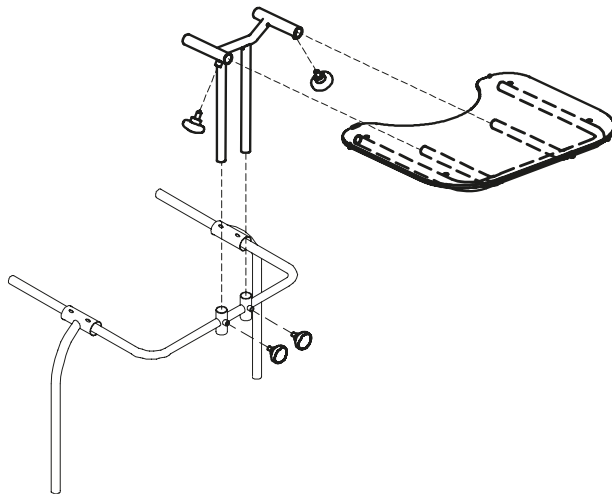


Pict.23

Assembling the TRANSPARENT TRAY

824

It is available for **INDOOR DYNAMICO**



Pict.24

SOME THERAPEUTICAL SUGGESTIONS

As we have previously seen, **DYNAMICO** can be a valid instrument to practice certain walking patterns.

In this section we'll illustrate a few examples of possible rehabilitation activities to be carried out in the gym or at home.



WARNING!

These exercises must be carried out under the strict control of either a parent or authorized, specialized personnel.

Remove all objects which could be an obstacle.

If necessary, use the braking system on the front wheels to moderate the speed of **DYNAMICO**

Before starting any exercise make sure that there are no dangerous objects or sharp edges within the range of **DYNAMICO.**

The Manufacturer is not responsible for any damage to objects, people or animals, arising from failure to comply with the rules described in this handbook.

Walking thanks to the hand support of a therapist or parent

This exercise aims to help start the first step patterns by using tactile information as a point of reference.

The child must follow the movement induced by the therapist or parent.

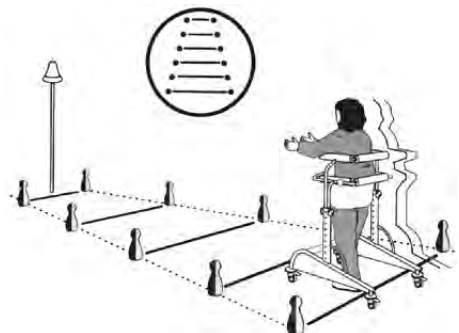


Pict. 25

A course of skittles and horizontal lines

This course aims to integrate visual and perceptive information through movement and walking.

The child must organize movement and control direction.



A course of skittles and horizontal lines with a red fixed goal to be reached (Pict. 27 - 28)

This exercise aims to programme walking in order to reach a goal through visual and motory construction.

The child has to walk and take the object placed at the end of the course.

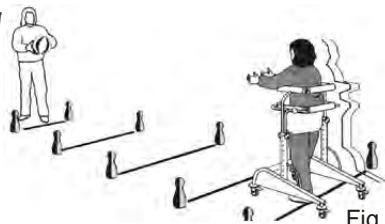


Fig. 27



Fig. 28

A course of skittles and horizontal lines with a moving goal to be reached.

This course aims to coordinate the child's movement with the one of the object to be reached in order to help organization of space.

The child has to reach an object which is coming towards him and take it.

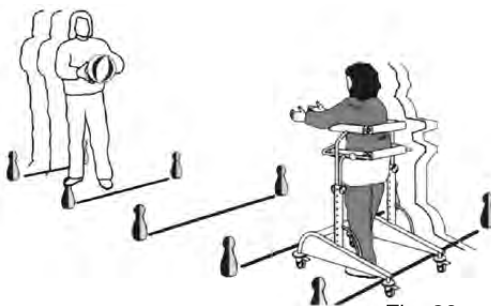


Fig. 29

A course of skittles and horizontal lines with a moving goal which comes near and goes away.

This course aims to organize perception of distance which is necessary to an autonomous walking.

The child must try to reach the object which comes near and then goes away and vice versa.

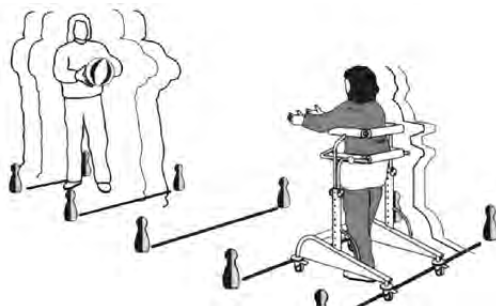


Fig. 30

Slalom with poles and bells

This course aims to integrate visual information and movement, by moving forwards and sideways.

The child must pass between the poles in

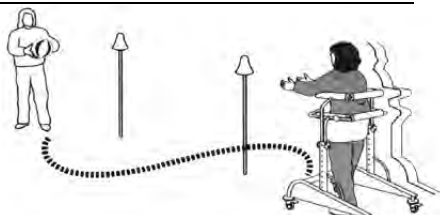


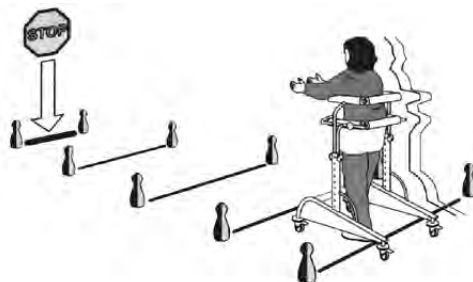
Fig. 31

order to reach the goal.

Pathway with a sudden STOP

This path aims to form the ability to stop the step pattern, that is, to stop when the child wants to.

The child must stop at a precise point in the pathway. The "STOP" point must be changed each time.



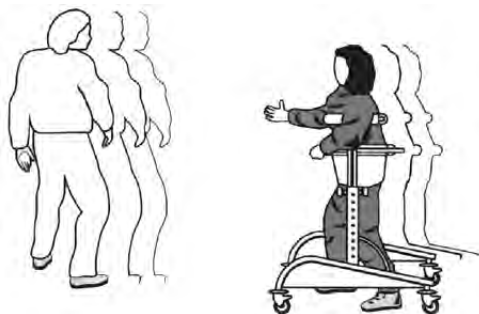
Pict. 32

Chasing

Course with a slow change of direction;
Course with a fast change of direction;

This path aims to organize changes of direction sideways and integrates vision and walking.

The child must follow the therapist's or parents' slow or fast movements.

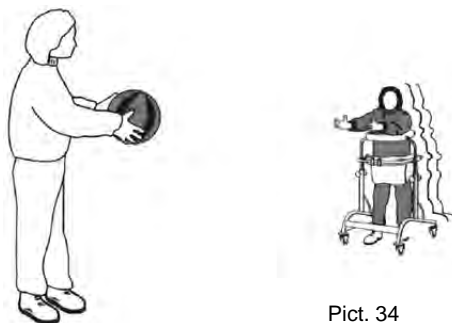


Pict. 33

Free walking

This path exercise aims to organize movement in a large space without the help of a marked course.

The child must reach the object offered him by the therapist or parent.



Pict. 34

**MAINTENANCE
CLEANING AND DISINFECTION**

MAINTENANCE, CLEANING AND DISINFECTION

REGULAR (OR PREVENTIVE) MAINTENANCE

ORDINARY MAINTENANCE OF THE AID AND ITS ACCESSORIES MUST BE PERFORMED MONTHLY. REGULAR MAINTENANCE IS REQUIRED TO KEEP THE PRODUCT WORKING PROPERLY AND SAFELY AND IT IS ESSENTIAL FOR KEEPING THE CE MARK.

ONLY WHEN THESE INTERVENTIONS ARE COMPLETED IN THE TIME AND WAY HEREIN SPECIFIED, THE RESPONSIBILITY OF KEEPING THE MAIN REQUIREMENTS OF THE WALKING FRAME (ATTACHMENT I DIRECTIVE 2007/47/EC) IS UP TO THE MANUFACTURER. FURTHERMORE THE MANUFACTURER RECOMMENDS A COMPLETE REVISION/SERVICE ON THE FUNCTIONALITY/SAFETY OF THE AID BY THE SUPPLIER IN THE FOLLOWING PERIODS:

- 1) within 3 months from the purchase
- 2) within 6 months from the purchase
- 3) once in a year after the first year from purchase

Cleaning and disinfecting the varnished and chromium-plated frame

Clean the varnished and chromium-plated parts of the aid with a soft cloth dipped in diluted wethylated alcohol.

Greasing

The aid doesn't need any particular greasing, except for those cases where the wheels and the spring locking mechanisms of the pelvic and chest support have lost their needed fluency. In these cases use some commercial grease spray reading the warnings specified on the bottle. **AFTER GREASING THE ADJUSTABLE PARTS, DRY THEM UP VERY WELL USING A SOFT CLOTH.**

Cleaning the wheels

Keep the wheels constantly well cleaned keeping them free from waste (thread, hair etc...) which can stick to them.



If you verify an **INEFFICIENCY**, even if just partial, of the **BRAKES**, **contact the Dealer who sold you the product immediately**. He will evaluate their possible reparation/change in order to avoid dangerous situations that could cause accidents.

Cleaning the padded covers

Clean the padded covers with a soft cloth dipped in neutral detergent

Cleaning the base

Use a soft cloth with water and neutral detergent. After cleaning, dry it up with a soft cloth.



Maintenance and replacement of parts or accessories must never be done while the aid is being used.



Intensifie all checks in marine environments, clean more often, anoint the parts exposed to salt corrosion (such as chrome, bolts and screws)

EXTRAORDINARY MAINTENANCE (or corrective)

EXTRAORDINARY MAINTENANCE MEANS ALL THOSE WORKS ON THE WALKING FRAME WHICH ARE DIFFERENT FROM THE ABOVE MENTIONED ONES.

WE ASK THE USER, DEALER AND ALL PUBLIC HEALTH SERVICES TO LET THE MANUFACTURER OR OTHER OFFICIALLY AUTHORIZED COMPANIES INTERVENE WITH EXTRAORDINARY MAINTENANCE WORKS.

ANY OTHER DIFFERENT ACTION MEANS THAT THE USER AND THE THIRD MAINTENANCE SERVICE ASSUME THEIR RESPONSIBILITY FOR THEIR DONE WORKS ON THE AID. THE MANUFACTURER WILL BE ONLY RESPONSIBLE FOR ANY POSSIBLE ORIGINAL DEFECT OF THE PRODUCT THAT MAY BE DECLARED TO THE MANUFACTURER.



If the aid must be scrapped, dispose of the parts according to the legal requirements in force in the Country where it is in use.

CUSTOMER SERVICE AND SPARE PARTS

Only contact the retailer where you purchased the product for service and replacement parts.

CONDITIONS FOR DURABILITY, REUSE AND REASSIGNMENT TO A NEW USER

Granted that Ormesa products should be selected, evaluated and ordered for the needs of an individual user, reuse is however possible with the respect the following conditions.

Based on the experience of other similar sold models, on technological progress, on the guarantees of the Quality Management System certificated in 1998 according to ISO 9001, there is adequate confidence that **the average lifespan of the DYNAMICO is about 5 years, on condition that it is used according to the directions given in the user manual.**

Only when the conditions for storage and transport of chapter HOW TO STORE AND TRANSPORT THE MEDICAL DEVICE” are followed, the periods in which the product is stored at the dealer should not be considered in that time period

Factors unrelated to the product such as the development of the user, its diseases, the use and the surrounding environment can make significantly lower the duration of life of the product; on the contrary, if the indications on the use and maintenance are properly observed, the reliability of the product can extend well beyond the lifetime average above.

Prior to recycling or reassignment an already used Ormesa product, it is required that:

1. a doctor or therapist verifies that the aid is appropriate and adequate to meet the dimensional, functional and postural needs of the new user, and if all its components are suitable / appropriate for him. You should also consider that the **CE-marking and the manufacturer's responsibility for safety requirements for the product remain only if the original product still has not changed and only original accessories or spare parts have been applied**
2. **qualified technical personnel of a company specialized in the maintenance of technical aids for disabled people performs a detailed technical inspection to verify its condition and wear, the absence of any damage and failure of all components / adjustments, the presence of the user's manual, of the label with the date and serial number. A copy of the manual and maintenance may be always requested to the retailer that supplied the product or directly to Ormesa**
3. **The product has been thoroughly cleaned and disinfected following the directions given in the “MAINTENANCE, CLEANING AND DISINFECTION” Chapter**

We recommend you keep written records on all inspections performed on the product before any assignment to the new user.

In case of doubt about the safety of the product or damage to parts or components, you are urged to immediately discontinue use and contact a specialized service center in the maintenance of mechanical aids for disable, or directly ORMESA





Via A. Da Sangallo, 1 Paciana 06034 FOLIGNO PG ITALY



COMPANY WITH QUALITY
MANAGEMENT SYSTEM
CERTIFIED BY
= ISO 9001 =

PRODUCT TESTED
BY **DEKRA** STUTTGART
AND LISTED IN THE GERMAN HMV (Technical Aids Listing)

FDA REGISTERED - USA

Authorized Dealer

The technical Data and information given in this handbook are not binding. ORMESA reserves the right to carry out any necessary change without prior notice or replacements
