

THRUFLOW

PREMIUM DECKING SOLUTIONS

QRamp/ThruFlow™ Legacy Specification Chart

Colours Available	Ergo
-------------------	------

Base Material		FRPP - Fibreglass Reinforced Polypropylene		
Sizes - (L x W x H)	inch	12 x 36 x 1.2	12 x 47.9 x 1.2	12 x 60 x 1.2
	mm	305 x 914 x 30	305 x 1219 x 30	305 x 1524 x 30
Support Span	inch	18	16	15
	mm	457	406	381
Weight	lbs	4.4	5.6	7.2
	Kg	2.0	2.5	3.3
Load Capacity at 0.125" Mid Span Deflection¹	lb _f	328	427	571
	N	1,459	1,899	2,540
Load Capacity - Peak Load¹	lb _f	1,387	1,594	1,974
	N	6,170	7,090	8,781
Concentrated Static Load - Peak Load¹	lb _f	715	683	964
	<i>ASTM E661</i>	N	3,180	4,288
Coefficient of Friction²	Static	0.78		
	<i>ASTM D2394-83</i> Kinetic	0.76		
Thermal Expansion³	1/°F	1.40 x 10 ⁻⁵		
	<i>ASTM D696-03</i> 1/°C	2.52 x 10 ⁻⁵		
Light Availability⁴	Surface	%		
	18" Dock Height	%		
	60" Dock Height	%		
U/V Light Properties		U/V Stabilized by Additive		
Warranty		Lifetime Limited Warranty * See website for full warranty		

For full test reports please contact ThruFlow Inc.
700 Gillard St., Wallaceburg, ON, N8A 4L3
1-888-478-3569 / sales@thruflow.com

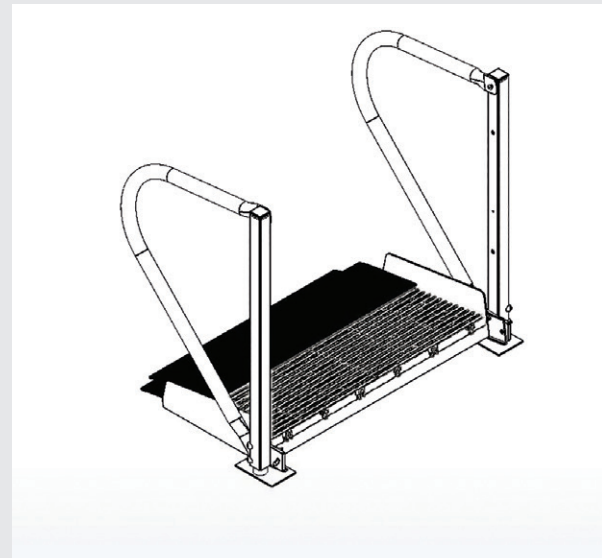
¹ UNB Wood Science and Technology Centre - Report# WSTC2014-044

² Cambridge Material Testing Limited - Report# 356155J-04

³ Cambridge Material Testing Limited - Report# 356155D-04

⁴ Cambridge Material Testing Limited - Report# 354661-04

MODULE 4 – ENTRY/EXIT PLATE



Module 4 is an entry and exit section. It is the beginning or end of the ramp and can be used at the top or bottom of the ramp. This Module is simply a sloping section combined with a Module 6 plate and features curved handrails.

MODULE 6 – TRANSITION PLATE



Module 6 is an entry & exit plate. As there will be a small gap between the ramp and the other structure, it is meant to transition from ramp surface to a doorway threshold, patio or deck. It does not have a frame, legs or handrails, is fastened to the ramp only and rests on the other structure adjacent to the ramp.



- ✓ Fast Delivery
- ✓ Easy Assembly & Removal
- ✓ Attractive & Safe
- ✓ Completely Modular



Toll Free: 1-855-697-7267
sales@qramp.com
700 Gillard Street, Wallaceburg, ON Canada N8A 4L3
WWW.QRAMP.COM

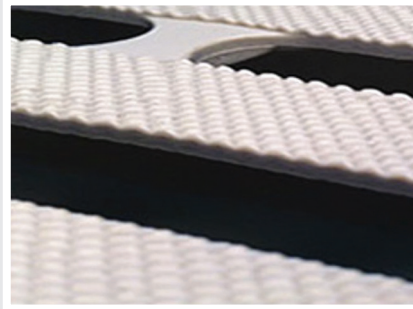


Quality, Quiet, Quick
QRAMP™ MODEL 1000

THRUFLOW

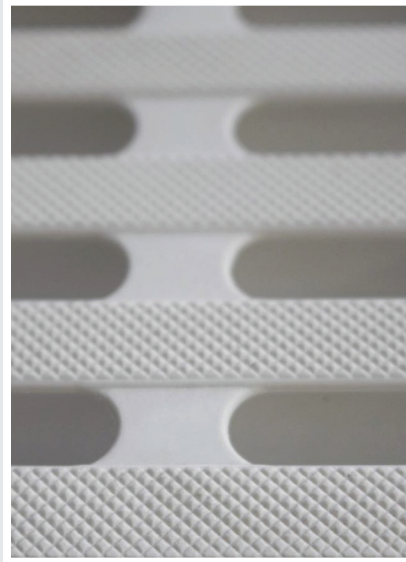
PREMIUM DECKING SOLUTIONS

QRamp™ is proud to offer the exclusive ThruFlow™ panel as the running surface of our ramps. This is one of the things that truly sets QRamp™ apart. ThruFlow™ is made of reinforced polypropylene which helps to keep it lightweight compared to other ramp building materials.



With our unique, 360-degree non-slip surface that is quiet in use and does not deflect under heavy weight, our customers find great satisfaction in QRamp™.

We are proud that our non-slip surface exceeds ADA specifications.



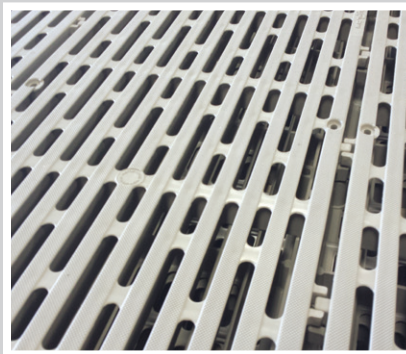
WE THOUGHT ABOUT THE LITTLE THINGS SO YOU DON'T HAVE TO!



- ✓ Easy, bracket and bolt assembly
- ✓ Set screw locking system



- ✓ Luminescent, low light safety caps and neutral colour for any décor
- ✓ Simple bolt and nut handrail system



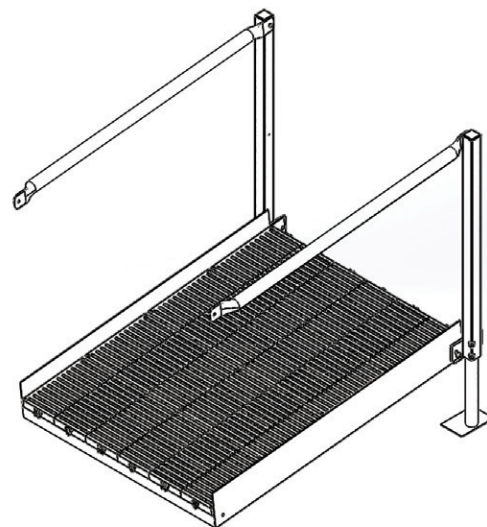
- ✓ Thruflow™ decking allows water and snow to pass through with superior non-slip ability
- ✓ Each Ramp is low maintenance – no need to repaint or stain

MODULE BREAKDOWN

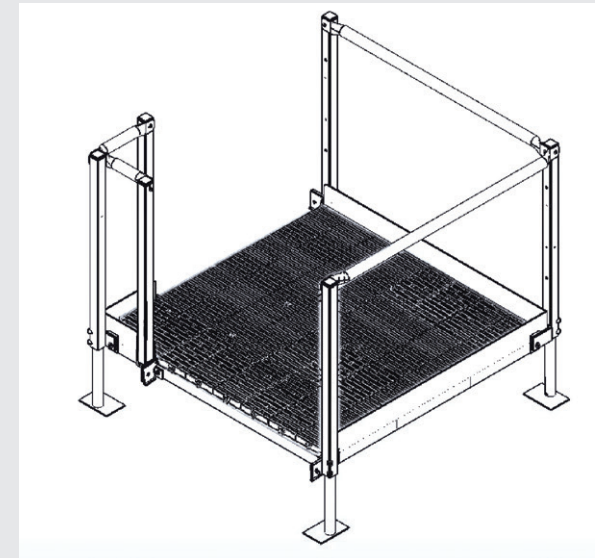
MODULE 1 – 4' x 3' SLOPING SECTION

Module 1 is our most versatile module as it connects to every piece. When beginning a ramp from the top, start with the Module 6 then follow with a Module 1 to start the decline.

This Module, along with Module 2 & 7, can be set to any slope within the acceptable range from 1:9 to 1:20. The target slope of a ramp as per ADA guidelines is 1:12 so each Module 1 will cover 4" of the total rise. Keep in mind as per the guidelines, after 30 feet of ramp a platform must be installed as a resting place.

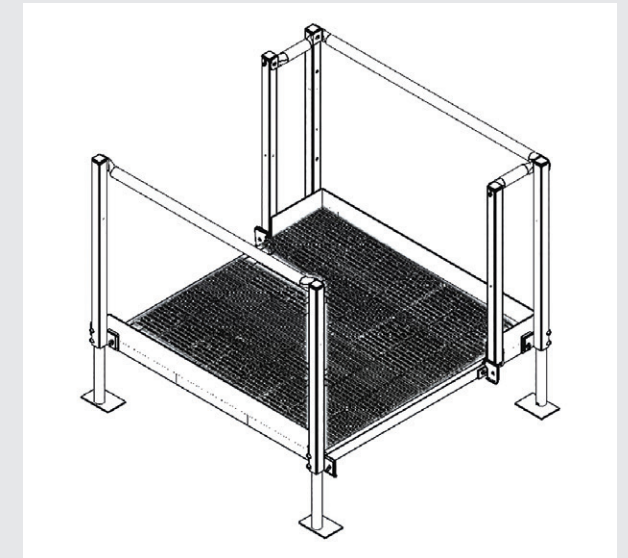


MODULE 3 & 8 – 90° TURN PLATFORM



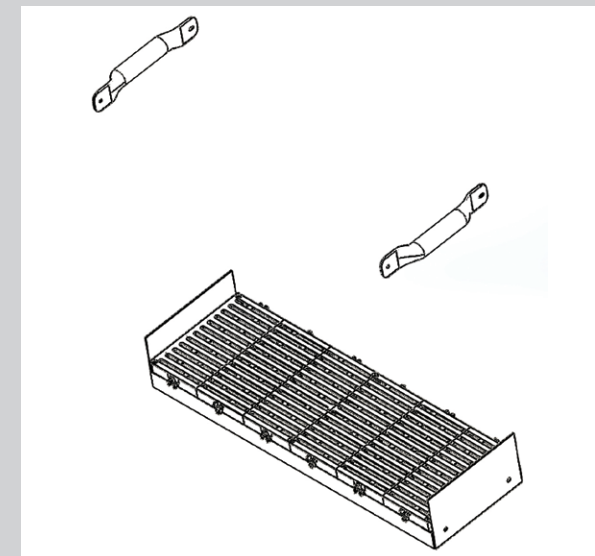
Module 3 & 8 are 90° turning platforms. Their purpose is to facilitate a 90° turn, left or right on a level surface in connection with sloping or running sections. The Module 8 is the larger of the two to allow for a larger turning radius - otherwise they are the same design.

MODULE 9 & 10 – RESTING PLATFORM



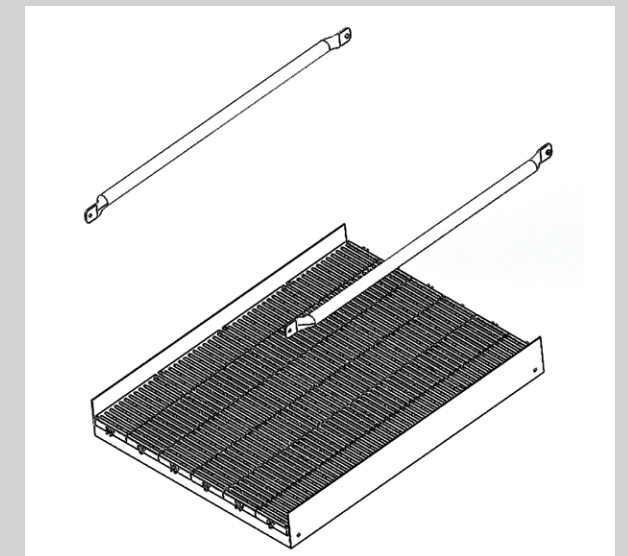
Module 9 & 10 are straight, resting platforms. They are designed for resting or turning after a long run of sloping modules. Exiting and entering the platform are done in a straight line. These platforms are frequently used adjacent to a doorway. Like the Module 3 & 8, they come in 4' x 4' and 5' x 5' and are the same design.

MODULE 7 – 1' BRIDGES



Module 7 is a 1' bridge section. Because it is intended to 'bridge' two platforms or a sloping section and platform, it does not have legs to connect it in between. We offer Module 7B that includes a leg kit for ramps of an odd length.

MODULE 2 – 4' BRIDGE



The Module 2 is a 4' bridge section meant to slope or be installed level. It serves the same purpose as a Module 7, only it's longer.